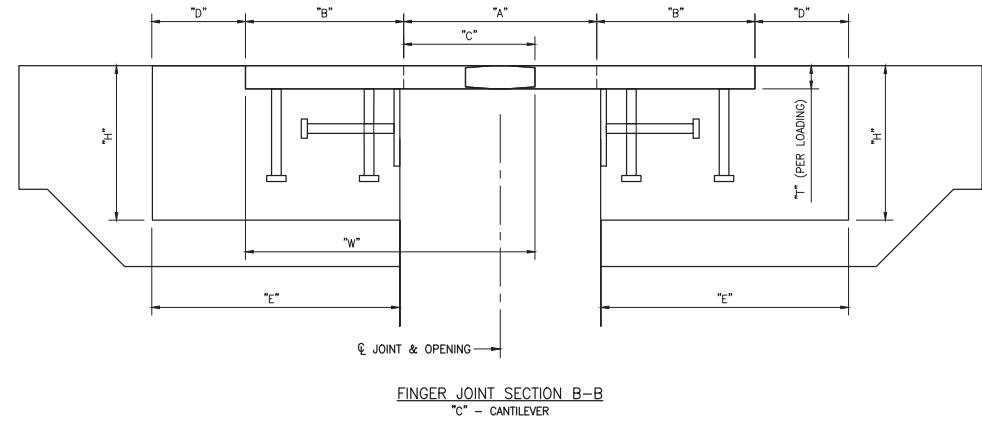
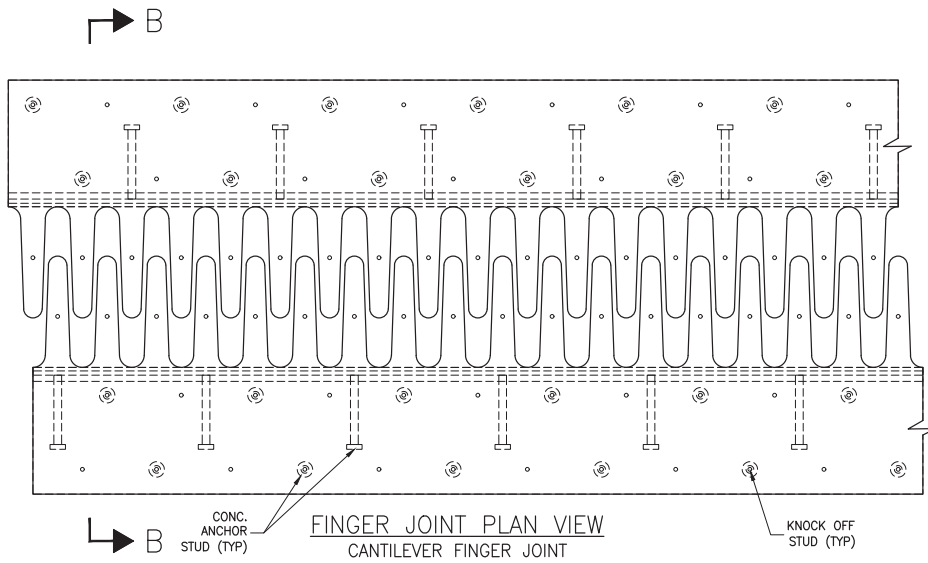


16 | 15 | 14 | 13 | 12 | 11 | 10 | 9 | 8 | 7 | 6 | 5 | 4 | 3 | 2 | 1



FINGER JOINT SIZE	MOVEMENT	JOINT OPENING "A"			BOLT LANDING LENGTH "B"	FINGER LENGTH "C"	CONC. POUR ACCESS "D"	BLOCKOUT WIDTH "E"	BLOCKOUT DEPTH "H"	PLATE WIDTH "W"	PLATE THICKNESS "T"
		MIN.	MID	MAX							
400C	4	7.5	9.5	11.5	10.25	6.5	6	16	10	16.75	1
600C	6	9.5	12.5	15.5	10.25	8.5	6	16	10	18.75	1.25
900C	9	12.5	17	21.5	10.25	11.5	6	16	10	21.75	1.5
1200C	12	15.5	21.5	27.5	10.25	14.5	6	16	10	24.75	1.75
1500C	15	18.5	26	33.5	10.25	17.5	6	16	10	27.75	2
1800C	18	21.5	30.5	39.5	10.25	20.5	6	16	10	30.75	2.25

NOTES:
 Materials to be ASTM A709, A588, or A36. Alternate Materials available upon request
 Corrosion protection to be Hot Dipped Galvanized, Alternate Coating available upon request
 Above drawing is only a generic representation and full application shop drawings once order is received

DRAWING ACTION:	TOLERANCES (UNLESS OTHERWISE SPECIFIED) ALL DIMENSIONS ARE IN INCHES DECIMALS: ± 0.00 ± 0.015 ± 0.030 ± 0.010
	FRACTION: OVERALL LGTH: -0 $+1/8$ ANGULAR: ± 2 (FAB) / ± 1 (FORM) LINEAR (Dtls): $\pm 1/16$ HOLE SIZE/DEPTH: $+1/16$ -0 SWEEP/CAMBER: ASTM A6 T21 STUD LOCATION: ± 1 HOLE LOCATION: $\pm 1/2$ BUTT SPICE LOCATION: $\pm 1/2$ WELD LOCATIONS PER APPLICABLE CODE/SPEC
DATE 5-8-24	



Watson Bowman Acme Corp.
 95 Pineview Drive Amherst, NY 14228
 phone: (716) 691-7566 fax: (716) 691-9239
 www.wbacorp.com



Information provided herein, including but not limited to, any drawing, design, photograph, graphic, or statement(s) ("Materials") are proprietary and the property of Watson Bowman Acme Corporation ("Company"). Reproduction, translation or reduction to any electronic medium or machine readable form, in whole or part, is strictly prohibited, except for the express purpose for which it has been furnished, without prior written consent of Company. All Materials contained herein are provided by Company for informational purposes only. Company reserves the right to amend or withdraw any information contained in the Materials without notice. All technical or other advice by Company, whether verbal or written, concerning products, or the use of products in specific situations ("Advice") is given by Company and is used at the Users own risk.

PROJECT:	DESCRIPTION	NAME	DATE	DETAILED BY:	DATE:
				CTM	02/09/22
PROJECT:	DESCRIPTION	NAME	DATE	CHECKED BY:	DATE:
				JW	XX/XX/XX
PROJECT:				SCALE:	WBA JOB NO.:
Wabo® Finger Joint				NTS	FINGER
Sales Proposal Drawing				SHEET NO.:	DRAWING NO.:
				3 of 4	SP-FIN 03
				REV:	0

16 | 15 | 14 | 13 | 12 | 11 | 10 | 9 | 8 | 7 | 6 | 5 | 4 | 3 | 2 | 1