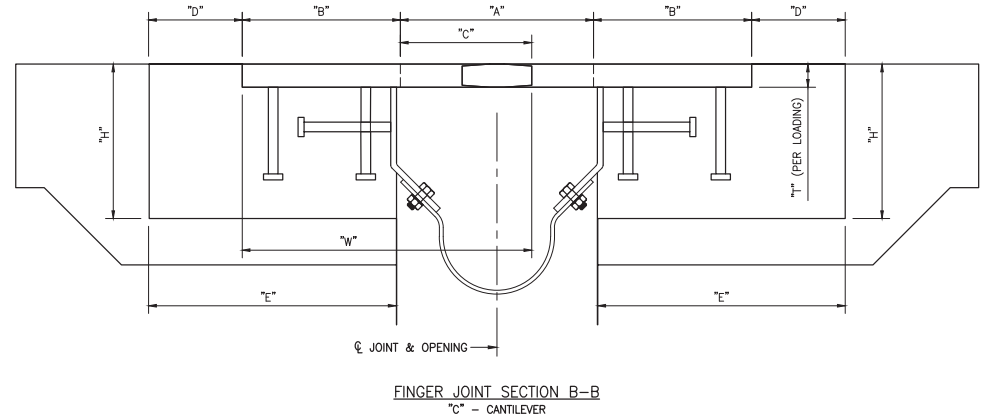
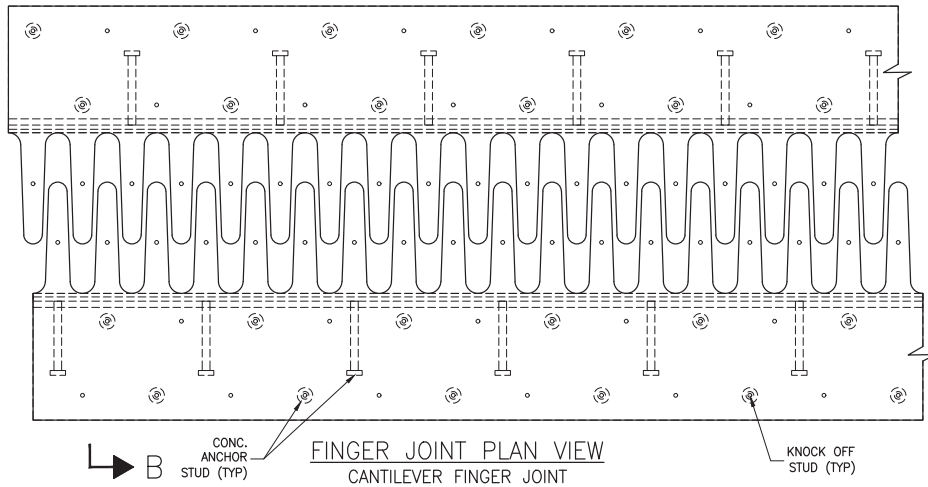


16 | 15 | 14 | 13 | 12 | 11 | 10 | 9 | 8 | 7 | 6 | 5 | 4 | 3 | 2 | 1



FINGER JOINT SIZE	MOVEMENT	JOINT OPENING "A"			BOLT LANDING LENGTH	FINGER LENGTH	CONC. POUR ACCESS	BLOCKOUT WIDTH	BLOCKOUT DEPTH	PLATE WIDTH	PLATE THICKNESS
		MIN.	MID.	MAX.							
400C	4	7.5	9.5	11.5	10.25	6.5	6	16	10	16.75	1
600C	6	9.5	12.5	15.5	10.25	8.5	6	16	10	18.75	1.25
900C	9	12.5	17	21.5	10.25	11.5	6	16	10	21.75	1.5
1200C	12	15.5	21.5	27.5	10.25	14.5	6	16	10	24.75	1.75
1500C	15	18.5	26	33.5	10.25	17.5	6	16	10	27.75	2
1800C	18	21.5	30.5	39.5	10.25	20.5	6	16	10	30.75	2.25

NOTES:
 Materials to be ASTM A709, A588, or A36. Alternate Materials available upon request
 Corrosion protection to be Hot Dipped Galvanized, Alternate Coating available upon request
 Above drawing is only a generic representation and full application shop drawings once order is received

DRAWING ACTION:	TOLERANCES (UNLESS OTHERWISE SPECIFIED)
	ALL DIMENSIONS ARE IN INCHES
DATE 5-8-24	FRACTION:
	OVERALL LGTH: -0 +1/8"
	ANGULAR: ±2 (FAB) / ±1 (FORM)
	LINEAR (DTLS): ±1/16
	HOLE SIZE/DEPTH: +1/16 -0
	SWEEP/CAMBER: ASTM A6 T21
	STUD LOCATION: ±1
	HOLE LOCATION: ±1/2
	BUTT SPICE LOCATION: ±1/2
	WELD LOCATIONS PER APPLICABLE CODE/SPEC



Watson Bowman Acme Corp.
 95 Pineview Drive Amherst, NY 14228
 phone: (716) 691-7566 fax: (716) 691-9239
 www.wbacorp.com



BUILDING TRUST

Information provided herein, including but not limited to, any drawing, design, photograph, graphic, or statement(s) ("Materials") are proprietary and the property of Watson Bowman Acme Corporation ("Company"). Reproduction, translation or reduction to any electronic medium or machine readable form, in whole or part, is strictly prohibited, except for the express purpose for which it has been furnished, without prior written consent of Company. All Materials contained herein are provided by Company for informational purposes only. Company reserves the right to amend or withdraw any information contained in the Materials without notice. All technical or other advice by Company, whether verbal or written, concerning products, or the use of products in specific situations ("Advice") is given by Company and is used at the User's own risk.

PROJECT:	Wabo® Finger Joint	DETAILED BY:	CTM	DATE:	02/09/22
	Sales Proposal Drawing	CHECKED BY:	JW	DATE:	XX/XX/XX
SCALE:	NTS	SCALE:	NTS	WBA JOB NO.:	FINGER
SHEET NO.:	3 of 4	DRAWING NO.:	SP-FIN 03	REV.:	0

16 | 15 | 14 | 13 | 12 | 11 | 10 | 9 | 8 | 7 | 6 | 5 | 4 | 3 | 2 | 1