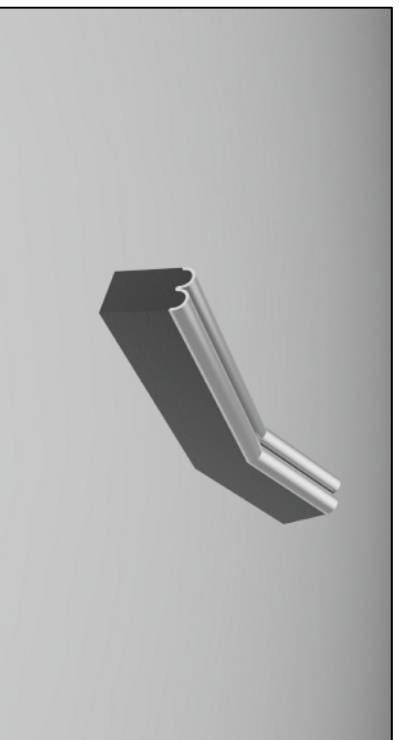


( ) - Denotes Millimeters

Model Number	Directional Changes (6" x 12" Legs - 90 Degree)	Joint Opening @ Midrange Temperature "A"
50130	WabofS Bridge 1/2" JT 90 Deg Trans	1/2" (12)
50131	WabofS Bridge 3/4" JT 90 Deg Trans	3/4" (19)
50132	WabofS Bridge 1" JT 90 Deg Trans	1" (25)
50133	WabofS Bridge 1-1/4" JT 90 Deg Trans	1-1/4" (31.75)
50134	WabofS Bridge 1-1/2" JT 90 Deg Trans	1-1/2" (38)
50135	WabofS Bridge 1-3/4" JT 90 Deg Trans	1-3/4" (44.5)
50136	WabofS Bridge 2" JT 90 Deg Trans	2" (50)
50137	WabofS Bridge 2-1/4" JT 90 Deg Trans	2-1/4" (57)
50138	WabofS Bridge 2-1/2" JT 90 Deg Trans	2-1/2" (63.5)
50139	WabofS Bridge 2-3/4" JT 90 Deg Trans	2-3/4" (70)
50140	WabofS Bridge 3" JT 90 Deg Trans	3" (75)
50141	WabofS Bridge 3-1/4" JT 90 Deg Trans	3-1/4" (82.5)
50142	WabofS Bridge 3-1/2" JT 90 Deg Trans	3-1/2" (89)
50143	WabofS Bridge 3-3/4" JT 90 Deg Trans	3-3/4" (92.25)
50144	WabofS Bridge 4" JT 90 Deg Trans	4" (100)
50145	WabofS Bridge 4-1/4" JT 90 Deg Trans	4-1/4" (108)
50146	WabofS Bridge 4-1/2" JT 90 Deg Trans	4-1/2" (114)
50147	WabofS Bridge 4-3/4" JT 90 Deg Trans	4-3/4" (120.5)
50148	WabofS Bridge 5" JT 90 Deg Trans	5" (127)



( ) - Denotes Millimeters

Model Number	Directional Changes (6" x 12" Legs - 125 Degree)	Joint Opening @ Midrange Temperature "A"
50150	WabofS Bridge 1/2" JT 125 Deg Trans	1/2" (12)
50151	WabofS Bridge 3/4" JT 125 Deg Trans	3/4" (19)
50152	WabofS Bridge 1" JT 125 Deg Trans	1" (25)
50153	WabofS Bridge 1-1/4" JT 125 Deg Trans	1-1/4" (31.75)
50154	WabofS Bridge 1-1/2" JT 125 Deg Trans	1-1/2" (38)
50155	WabofS Bridge 1-3/4" JT 125 Deg Trans	1-3/4" (44.5)
50156	WabofS Bridge 2" JT 125 Deg Trans	2" (50)
50157	WabofS Bridge 2-1/4" JT 125 Deg Trans	2-1/4" (57)
50158	WabofS Bridge 2-1/2" JT 125 Deg Trans	2-1/2" (63.5)
50159	WabofS Bridge 2-3/4" JT 125 Deg Trans	2-3/4" (70)
50160	WabofS Bridge 3" JT 125 Deg Trans	3" (75)
50161	WabofS Bridge 3-1/4" JT 125 Deg Trans	3-1/4" (82.5)
50162	WabofS Bridge 3-1/2" JT 125 Deg Trans	3-1/2" (89)
50163	WabofS Bridge 3-3/4" JT 125 Deg Trans	3-3/4" (92.25)
50164	WabofS Bridge 4" JT 125 Deg Trans	4" (100)
50165	WabofS Bridge 4-1/4" JT 125 Deg Trans	4-1/4" (108)
50166	WabofS Bridge 4-1/2" JT 125 Deg Trans	4-1/2" (114)
50167	WabofS Bridge 4-3/4" JT 125 Deg Trans	4-3/4" (120.5)
50168	WabofS Bridge 5" JT 125 Deg Trans	5" (127)

PROJECT NAME: \_\_\_\_\_

PROJECT LOCATION: \_\_\_\_\_



Watson Bowman Acme  
 95 Pineview Drive Amherst, NY 14228  
 phone: (716) 691-7566 fax: (716) 691-9239  
 www.watsonbowmanacme.com



REVISION NO: 1

SHEET NO: 3

DRAWING DESCRIPTION: **WabofS BridgeSeal**

MODEL: FS

DATE: 01/27/2021

Information provided herein, including but not limited to, any drawing, design, photograph, graphic, or statement(s) ("Materials") are proprietary and the property of Watson Bowman Acme Corporation, ("Company"). Reproduction, translation, or reduction to any electronic medium or machine readable form, in whole or part, is strictly prohibited, except for the express purpose for which it has been furnished without prior written consent of Company. All Materials contained herein are provided by Company for information purposes only. Company reserves the right to amend or withdraw any information contained in the Materials without notice. All technical or other advice by Company, whether verbal or written, concerning products, or the use of products in specific situations ("Advice") is given by Company and is used at the Users own risk.

DRAWING NO: A-34293