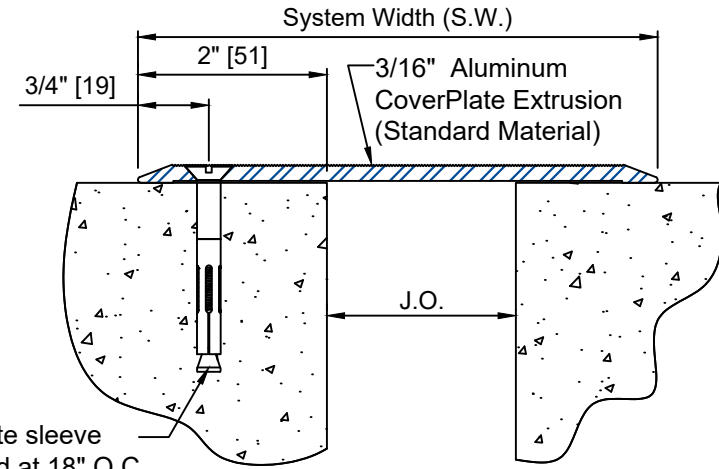


**FJF-100c thru 600c**

typical section  
floor to wall application

Model	Joint Opening (J.O.)						Total Movement		S.W. at install	
	at install		allow min.		allow max.		inches	mm	inches	mm
	inches	mm	inches	mm	inches	mm				
FJF-100C	1	25	0	0	1 3/4"	44	1 3/4"	44	2	51
FJF-200C	2	51	0	0	3 1/4"	83	3 1/4"	83	3 1/2"	89
FJF-400C	4	102	0	0	6 1/4"	159	6 1/4"	159	6 1/2"	165
FJF-600C	6	152	0	0	9 1/4"	235	9 1/4"	235	9 1/2"	241

Note: J.O. minimum and maximum values are after thermal movement occurs



Ø1/4" Concrete sleeve  
anchor spaced at 18" O.C.

**FJF-100 thru 600**

typical section  
floor to floor application

Model	Joint Opening (J.O.)						Total Movement		S.W. at install	
	at install		allow min.		allow max.		inches	mm	inches	mm
	inches	mm	inches	mm	inches	mm				
FJF-100	1	25	0	0	1 3/4"	44	1 3/4"	44	4	102
FJF-200	2	51	0	0	3 1/4"	83	3 1/4"	83	5 1/2"	140
FJF-400	4	102	0	0	6 1/4"	159	6 1/4"	159	8 1/2"	216
FJF-600	6	152	0	0	9 1/4"	235	9 1/4"	235	11 1/2"	292

Note: J.O. minimum and maximum values are after thermal movement occurs

Optional Plate Material:  
3/16" Stainless Steel Coverplate with  
Brush Finish

PROJECT NAME: -

PROJECT LOCATION: -

DRAWING DESCRIPTION:

**Wabo®FastFloor**

DATE: 01/15/2021

MODEL: FJF/C



Watson Bowman Acme  
95 Pineview Drive Amherst, NY 14228  
phone: (716) 691-7566 fax: (716) 691-9239  
www.watsonbowmanacme.com

A brand of  
**MBC GROUP**

Information provided herein, including but not limited to, any drawing, design, photograph, graphic, or statement(s) ("Materials") are proprietary and the property of Watson Bowman Acme Corporation ("Company"). Reproduction, translation, or reduction to any electronic medium or machine readable form, in whole or part, is strictly prohibited, except for the express purpose for which it has been furnished, without prior written consent of Company. All Materials contained herein are provided by Company for information purposes only. Company reserves the right to amend or withdraw any information contained in the Materials without notice. All technical or other advice by Company, whether verbal or written, concerning products, or the use of products in specific situations ("Advice") is given by Company and is used at the Users own risk.

REVISION NO:

SHEET NO:

1

DRAWING NO:

C17623