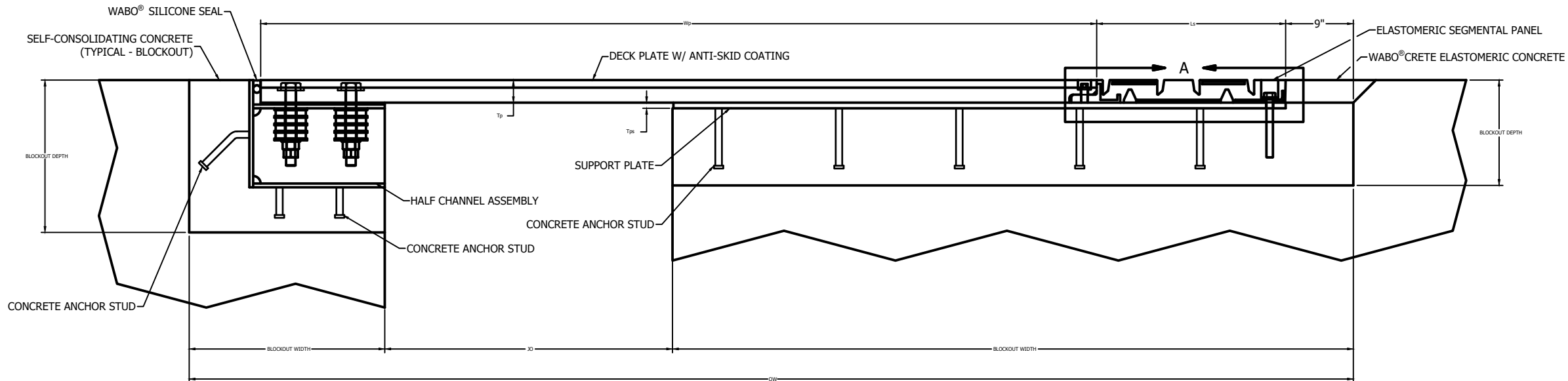


TOP ISO VIEW
WABO® MDM-650 SHOWN

DIMENSION SIGNIFIER	Wabo®MDM-650-900 DESIGN TABLE		SYSTEM SIZE	
	DESCRIPTION		650	900
MR	SERVICE MOVEMENT RATING		6.5	9
S.O.	SEISMIC OPENING MOVEMENT		**	**
S.C.	SEISMIC CLOSING MOVEMENT		**	**
Lm	MODULE LENGTH		63	63
J.O. (min)	JOINT OPENING (min)		**	**
J.O. (mid)	JOINT OPENING (mid)		**	**
J.O. (max)	JOINT OPENING (max)		**	**
OW	OVERALL WIDTH		**	**
TP	PLATE THICKNESS		+	+
Tps	SUPPORT PLATE THICKNESS		0.75	0.75
Wp	PLATE LENGTH		+	+
Ws	SEAL PANEL WIDTH (mid)		25	30.5
Ws (min)	SEAL PANEL WIDTH (min)		22	26
Ws (Mmax)	SEAL PANEL WIDTH (max)		28.5	35
ALL DIMENSIONS IN (in.)				
**	CELL DATA TO BE PROVIDED IN PROJECT SPECS.			
+	CELLS TO BE DETERMINED FROM ENG. CALCULATIONS.			



SECTION A-A
WABO® MDM-650 SHOWN

DRAWING ACTION:
SALES DWG
DATE: 3/5/2020

TOLERANCES (UNLESS OTHERWISE SPECIFIED) ALL DIMENSIONS ARE IN INCHES	
DECIMAL: .X ± .030 .XX ± .015 .XXX ± .010	



Watson Bowman Acme
95 Pineview Drive, Amherst, NY 14228
phone: (716) 691-7566 fax: (716) 691-9239
www.watsonbowmanacme.com

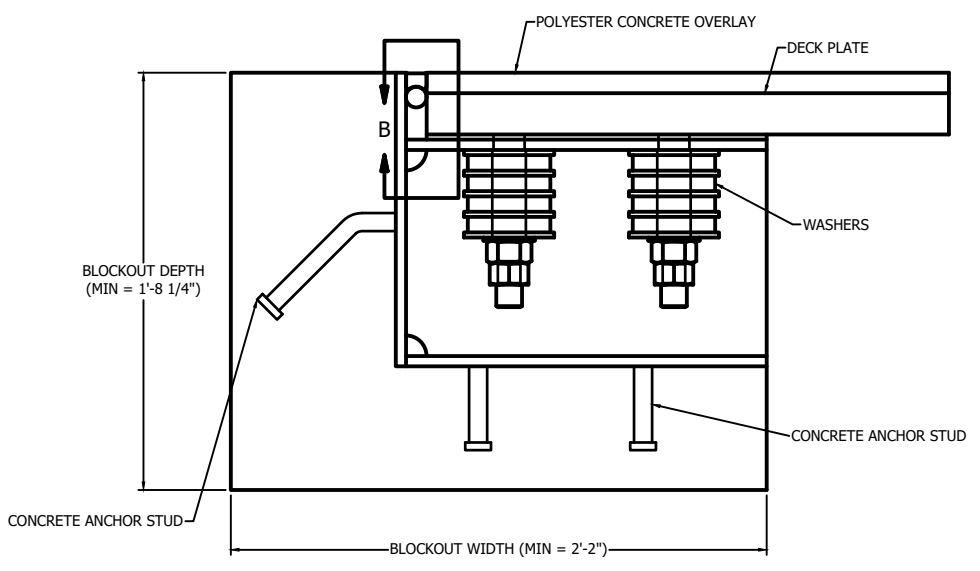
A brand of **MBCC GROUP**

Information provided herein, including but not limited to, any drawing, design, photograph, graphic, or statement(s) ("Materials") are proprietary and the property of Watson Bowman Acme ("Company"). Reproduction, translation, or reduction to any electronic medium or machine readable form, in whole or part, is strictly prohibited, except for the express purpose for which it has been furnished, without prior written consent of Company. All Materials contained herein are provided by Company for information purposes only. Company reserves the right to amend or withdraw any information contained in the Materials without notice. All technical or other advice by Company, whether verbal or written, concerning products, or the use of products in specific situations ("Advice") is given by Company and is used at the User's own risk.

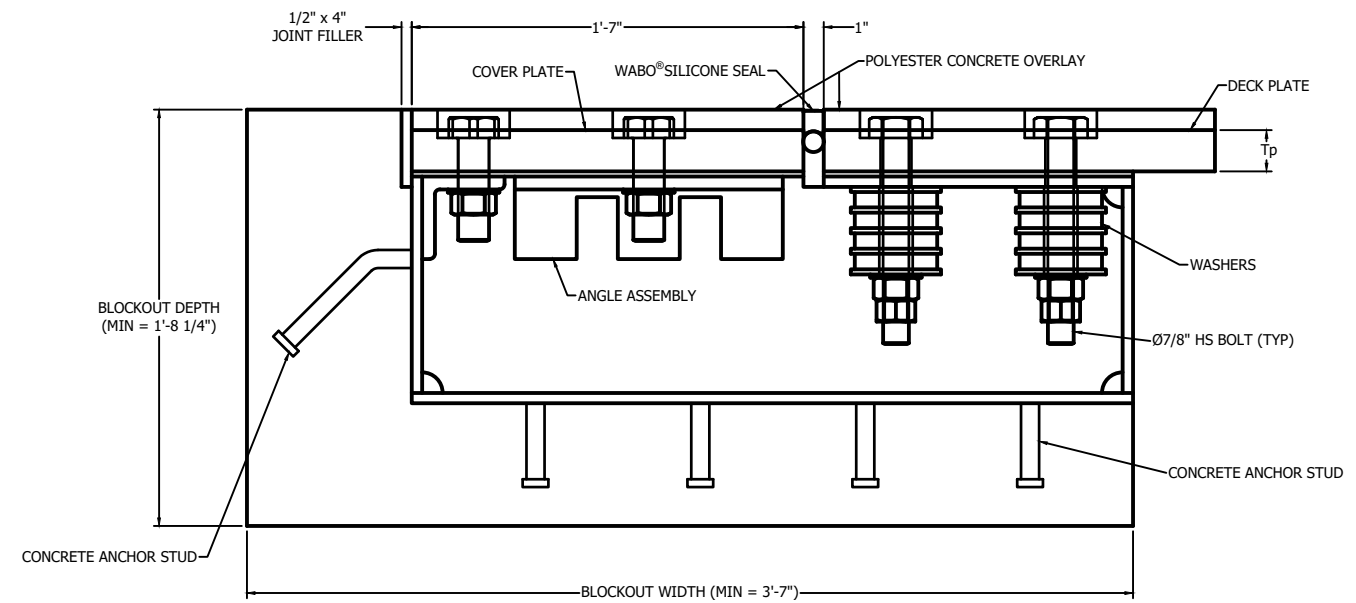
0	ORIGINAL RELEASE	PPP	8/1/2019
NO.	REVISION DESCRIPTION	INIT	DATE

DRAWING INFORMATION:
Wabo®MDM-650 TRANSFLEX

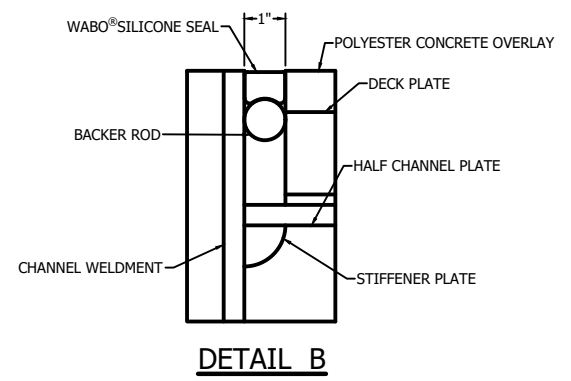
DETAILED BY: PPP	DRAWING DATE: 03/07/2019
CHECKED BY: DJS	CHECKED DATE: 06/24/2019
SCALE: NTS	WBA JOB NO.: N/A
SHEET: 1 of 2	DRAWING NO.: Wabo®MDM REV: 1



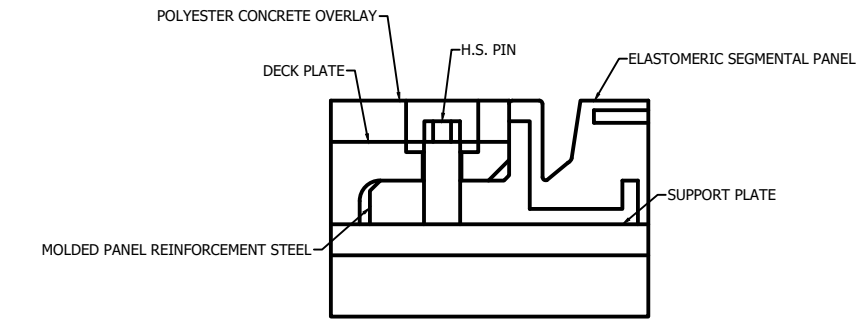
HALF CHANNEL ASSEMBLY DETAILS
(LOCATIONS WHERE ACCESS FROM JOINT OPENING IS AVAILABLE)



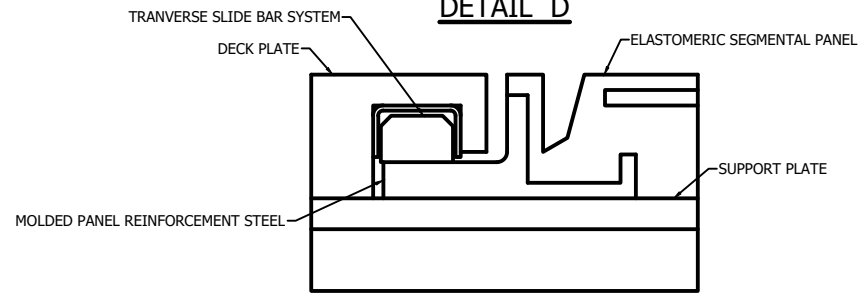
FULL CHANNEL ASSEMBLY DETAILS
(LOCATIONS WHERE ACCESS FROM ROADWAY IS REQUIRED)



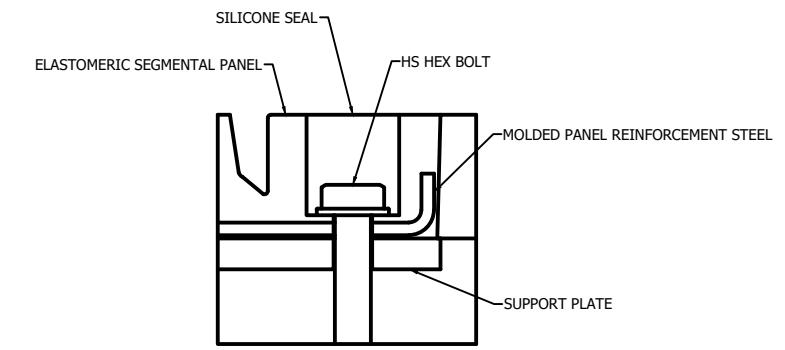
DETAIL B



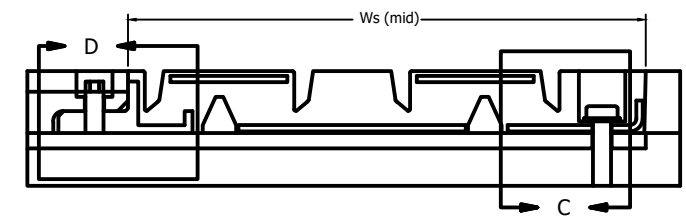
DETAIL D



DETAIL D - ALTERNATE VERSION
(PATENTED LARGE TRANSVERSE MOVEMENT OPTION)



DETAIL C



DETAIL A - MID-RANGE

DRAWING ACTION:
SALES DWG
DATE: 3/5/2020

TOLERANCES (UNLESS OTHERWISE SPECIFIED) ALL DIMENSIONS ARE IN INCHES	
DECIMAL: .X ± .030 .XX ± .015 .XXX ± .010	



Watson Bowman Acme
95 Pineview Drive, Amherst, NY 14228
phone: (716) 691-7566 fax: (716) 691-9239
www.watsonbowmanacme.com

A brand of
MBCC GROUP

Information provided herein, including but not limited to, any drawing, design, photograph, graphic, or statement(s) ("Materials") are proprietary and the property of Watson Bowman Acme ("Company"). Reproduction, translation, or reduction to any electronic medium or machine readable form, in whole or part, is strictly prohibited, except for the express purpose for which it has been furnished, without prior written consent of Company. All Materials contained herein are provided by Company for information purposes only. Company reserves the right to amend or withdraw any information contained in the Materials without notice. All technical or other advice by Company, whether verbal or written, concerning products, or the use of products in specific situations ("Advice") is given by Company and is used at the Users own risk.

0	ORIGINAL RELEASE	PPP	8/1/2019
NO.	REVISION DESCRIPTION	INIT	DATE

DRAWING INFORMATION:
Wabo®MDM-650 TRANSFLEX

DETAILED BY: PPP	DRAWING DATE: 03/07/2019
CHECKED BY: DJS	CHECKED DATE: 06/24/2019
SCALE: NTS	WBA JOB NO.: N/A
SHEET: 2 of 2	DRAWING NO.: Wabo®MDM
	REV: 1