

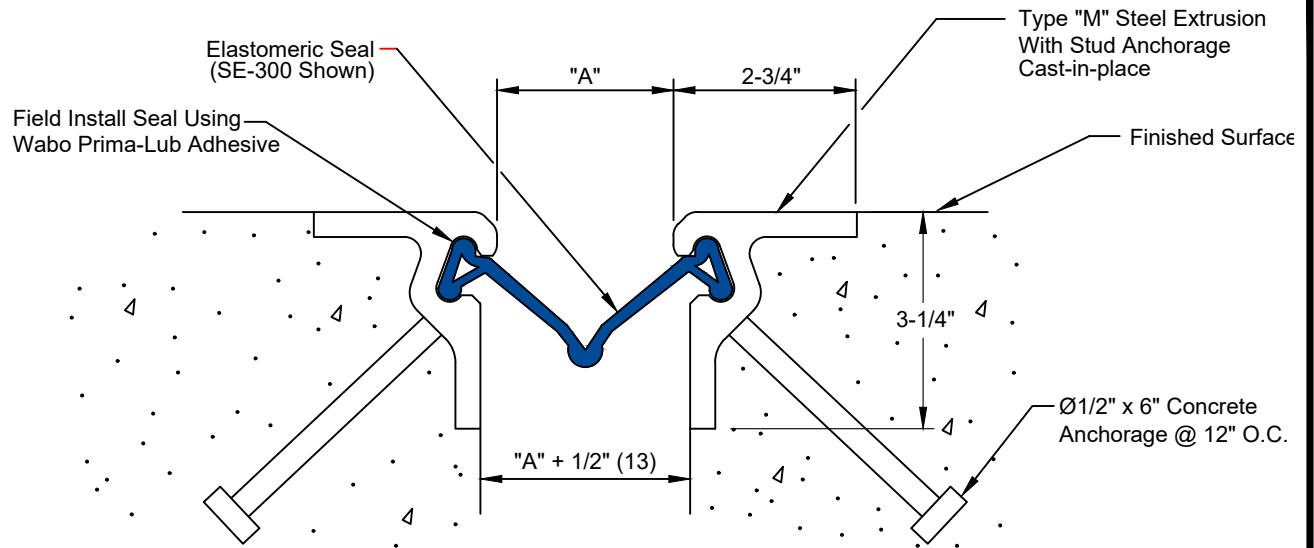
Notes:

1.) Please contact WBA for information on splices, terminations, transitions, and additional details concerning adjacent construction.

2.) Minimum and maximum values shown on dimension chart are the limits for proper system performance. Unless otherwise noted, the dimension shown at "A" Mid is the recommended installation joint opening.

3.) The system and all mechanical components are supplied to accommodate 20 foot section lengths. If required, please consult with a WBA representative for the types and quantities of any chemical components needed for proper installation.

4) Coverplate recommended for "SE" & "EFE" style seals where pedestrian traffic is expected. Contact WBA for additional information.



Wabo® StripSeal (Model:SSS, Type M) DETAIL

SLAB TO SLAB CONDITION
NOT TO SCALE

() - Denotes Millimeters

DIMENSION CHART					
PROFILE	MODEL	"A" @ MIN	"A" @ MID	"A" @ MAX	TOTAL MOVMENT
	EFE-400	1/2"(13)	2-1/2"(64)	4-1/2"(114)	4"(102)
	SE-300	0"(0)	1-1/2"(38)	3"(76)	3"(76)
	SE-400	0"(0)	2"(51)	4"(102)	4"(102)
	SE-500	0"(0)	2-1/2"(64)	5"(127)	5"(127)
	SE-800	1/2"(13)	4-1/2"(114)	8-1/2"(216)	8"(203)

PROJECT NAME: -

PROJECT LOCATION: -

DRAWING DESCRIPTION:

Wabo® StripSeal

DATE: 01/21/2021

MODEL: SSS



Watson Bowman Acme
95 Pineview Drive Amherst, NY 14228
phone: (716) 691-7566 fax: (716) 691-9239
www.watsonbowmanacme.com

A brand of
MBCC GROUP

Information provided herein, including but not limited to, any drawing, design, photograph, graphic, or statement(s) ("Materials") are proprietary and the property of Watson Bowman Acme Corporation ("Company"). Reproduction, translation, or reduction to any electronic medium or machine readable form, in whole or part, is strictly prohibited, except for the express purpose for which it has been furnished, without prior written consent of Company. All Materials contained herein are provided by Company for information purposes only. Company reserves the right to amend or withdraw any information contained in the Materials without notice. All technical or other advice by Company, whether verbal or written, concerning products, or the use of products in specific situations ("Advice") is given by Company and is used at the Users own risk.

REVISION NO:

1

SHEET NO:

2

DRAWING NO:

C-96018