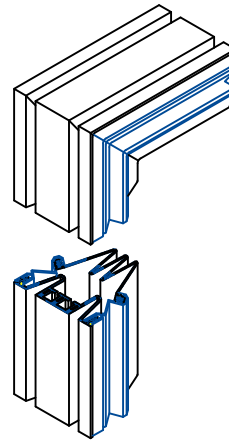
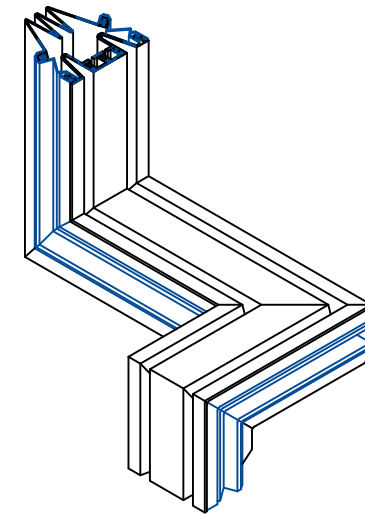


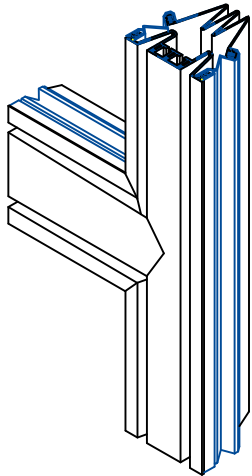
OUTSIDE HORIZONTAL CORNER



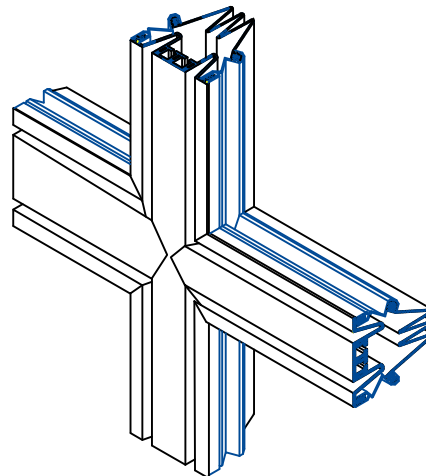
OUTSIDE VERTICAL MITER



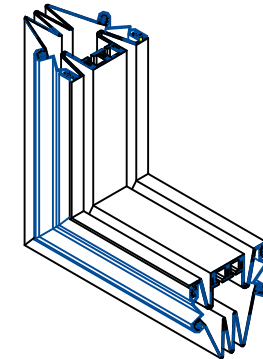
COMBINATION MITER



"T" MITER



CROSS MITER



INSIDE VERTICAL MITER

Note: Mitters may be Field or Shop Manufactured

PROJECT NAME: -

PROJECT LOCATION: -

DRAWING DESCRIPTION:

**Wabo®WeatherSeam**

DATE: 01/25/2021

MODEL: WSW



Watson Bowman Acme  
 95 Pineview Drive Amherst, NY 14228  
 phone: (716) 691-7566 fax: (716) 691-9239  
[www.watsonbowmanacme.com](http://www.watsonbowmanacme.com)

A brand of  
**MBCC GROUP**

Information provided herein, including but not limited to, any drawing, design, photograph, graphic, or statement(s) ("Materials") are proprietary and the property of Watson Bowman Acme Corporation ("Company"). Reproduction, translation, or reduction to any electronic medium or machine readable form, in whole or part, is strictly prohibited, except for the express purpose for which it has been furnished, without prior written consent of Company. All Materials contained herein are provided by Company for information purposes only. Company reserves the right to amend or withdraw any information contained in the Materials without notice. All technical or other advice by Company, whether verbal or written, concerning products, or the use of products in specific situations ("Advice") is given by Company and is used at the Users own risk.

REVISION NO:

1

SHEET NO:

8

DRAWING NO:

C-95021