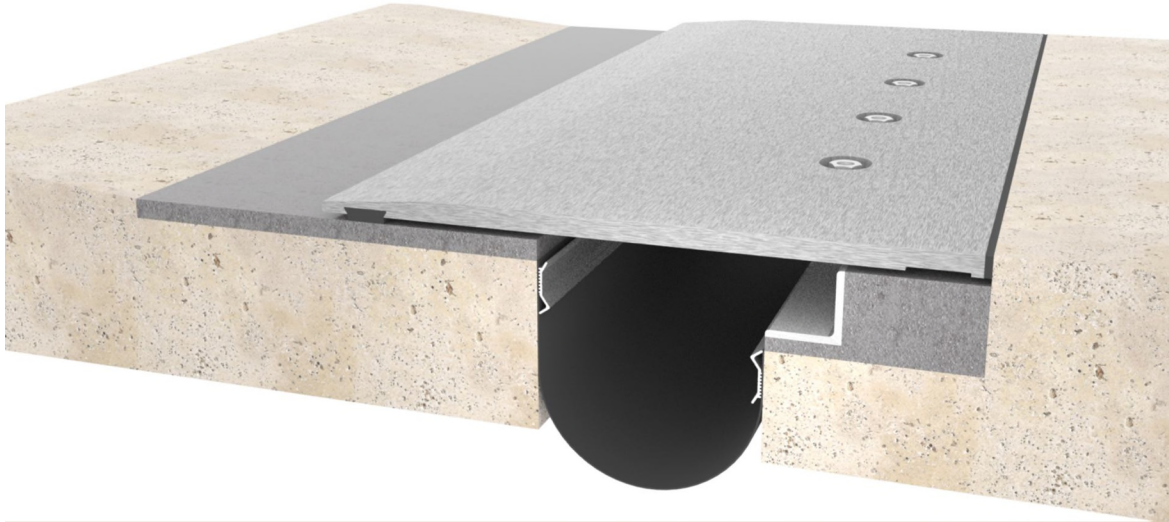


# Installation Procedure

Last Updated: May 16, 2021



## Wabo<sup>®</sup>BusTuff

Heavy Duty Expansion Control System for High Load, High Speed, High Daily Traffic Count Applications

The following installation procedure is very important and must be fully understood prior to beginning any work. To ensure proper installation and performance of expansion joint system the following actions must be completed by the installing contractor. **Failure to do so will affect product warranty.**

- 1) Carefully read and understand installation procedure. Contact WBA's Technical Service Department at (800) 677-4922 for product assistance.
- 2) Inspect all shipments and materials for missing or damaged components and hardware. Contact Customer Service at (800) 677-4922 with WBA's order number and invoice for prompt assistance.
- 3) Inspect substrate or adjacent construction for acceptance before beginning work. Report unacceptable construction to the project manager for scheduled repair work.
- 4) Review WBA shop drawings for project specific detailed information if Engineering services were purchased at time of order.

Information provided herein, including but not limited to, any drawing, design, photograph, graphic, or statement(s) ("Materials") are proprietary and the property of Watson Bowman Acme Corp. ("Company"). Reproduction, translation, or reduction to any electronic medium or machine-readable form, in whole or part, is strictly prohibited, except for the express purpose for which it has been furnished, without prior written consent of Company. All Materials contained herein are provided by Company for information purposes only. Company reserves the right to amend or withdraw any information contained in the Materials without notice. All technical or other advice by Company, whether verbal or written, concerning products, or the use of products in specific situations ("Advice") is given by Company and is used at the User's own risk.

## Health & Safety

During the installation of any Watson Bowman Acme product, appropriate personal protective items should be worn at all times, including but not limited to the following:

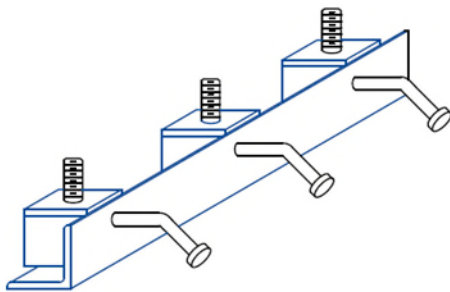
- Proper work clothing
- Safety glasses
- Safety boots
- Gloves
- Hard hat



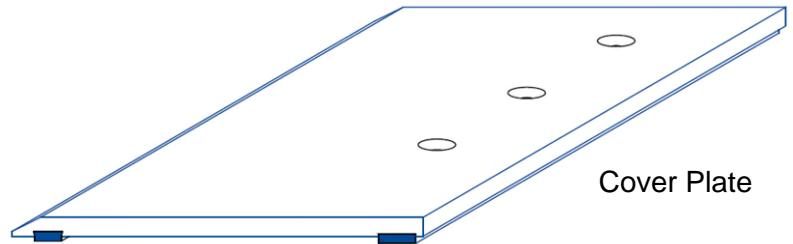
Local rules and regulations regarding safe work environments and health should be followed.

## Product Components

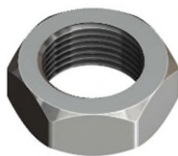
The following components are required for the installation of this product:



Anchor Device Assembly



Cover Plate



Jam Nuts

**Note:** Cover plates and anchor assemblies are match-marked and drilled and cannot be intermixed. Disassembly of the system should take place at time of setting anchor device assembly. Contractor should become familiar with location of all cover plate and anchor device assembly piece marks to ensure proper installation.

## Product Components (cont'd)

The following components are required for the installation of this product:



**Wabo®Crete Elastomeric Concrete  
Non-Flow Additive** *(optional)*  
(for sloped, crowned or ramped  
surfaces) P/n: #14389  
*Add maximum one bag to one unit of  
Elastomeric Concrete*

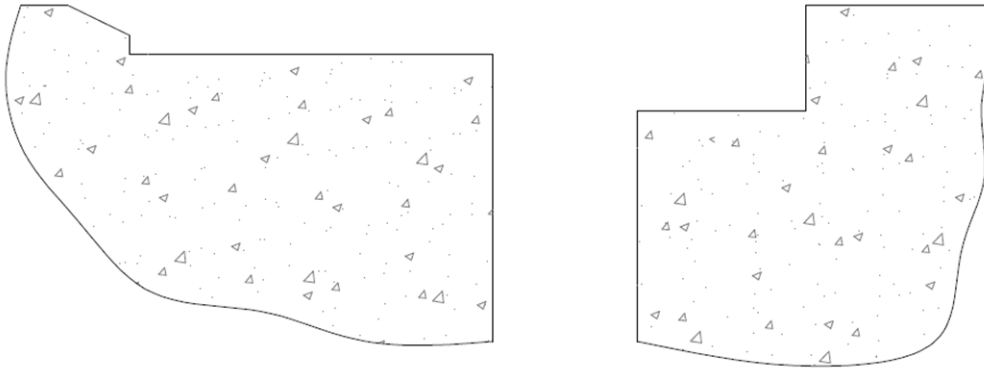
**Wabo®Crete Parking Series Elastomeric Concrete,**  
Part A (P/n: #14380H), Part B (P/n: #14385G),  
Part C (P/n: #33138)

## Pre-Installation Notes

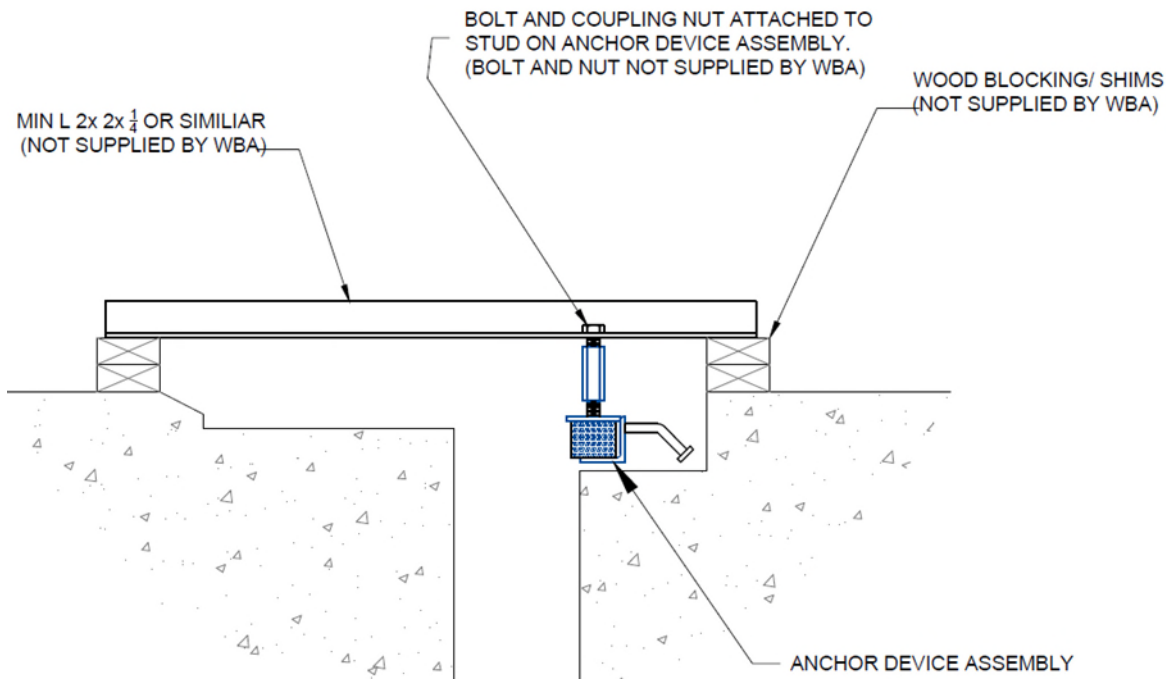
Concrete Substrate must be clean (free of dirt, dust, coatings, rust, grease, oil and other contaminants), sound and durable. New concrete must be fully cured (Min. 14 days) and all laitance removed. Mask joint edges with duct tape & roofing paper to ensure a clean final appearance. Clean blockout with dry compressed air. (see Installation Step #1 on next page).

## Installation

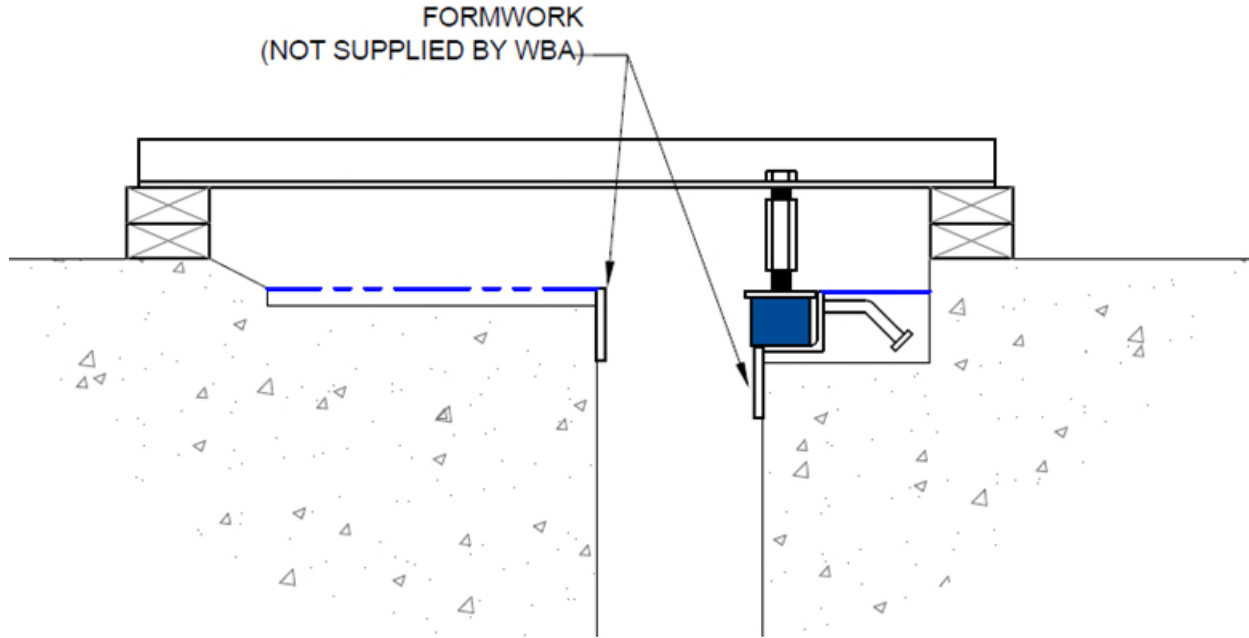
- 1 The blockout shall be constructed of the dimensions shown on the shop drawings. Abrasive blast the concrete blockout surfaces to remove the foam release agents, grease, bond breakers and to enhance bonding surface. **Note:** Abrasive blasting is the preferred method. Grinding with an aggressive concrete disc is acceptable when abrasive blasting is not possible (i.e. using zec wheel or diamond cup wheel).



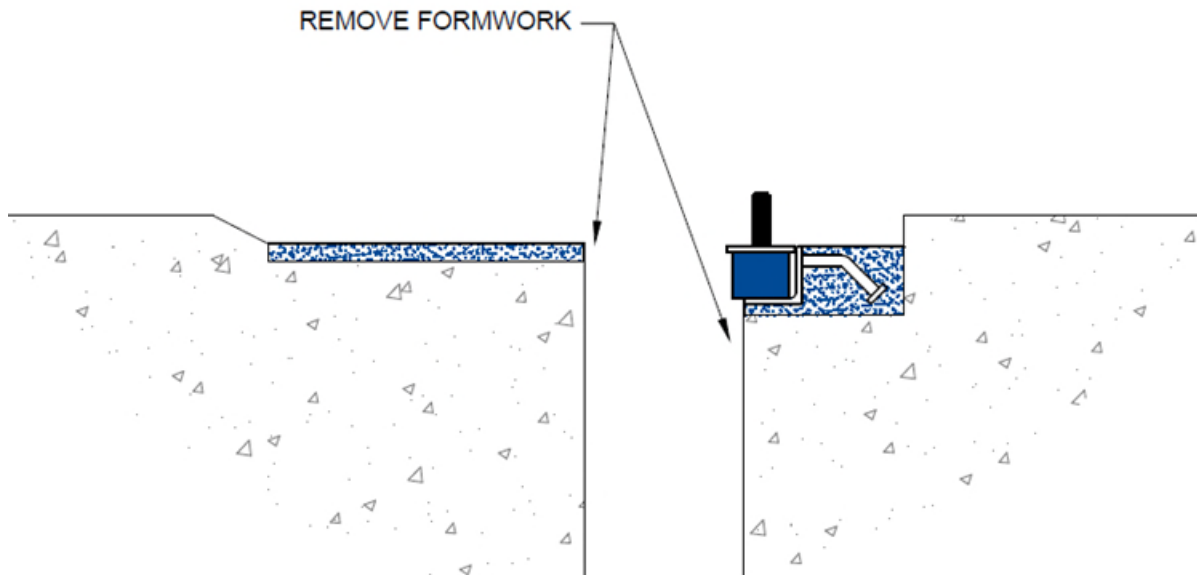
- 2 Position anchor device assembly in blockout and align so assembly is recessed to allow for installation of cover plate. Reference shop drawing for overall plate thickness including polyurethane pad.



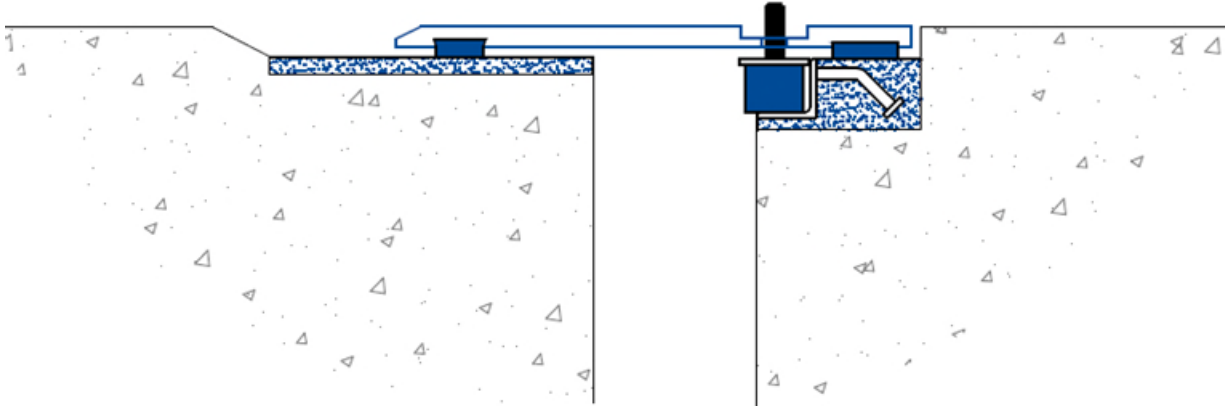
- 3** Install formwork in blockout for Wabo®Crete Parking Series infill material. Install Wabo®Crete Parking Series per installation guide.



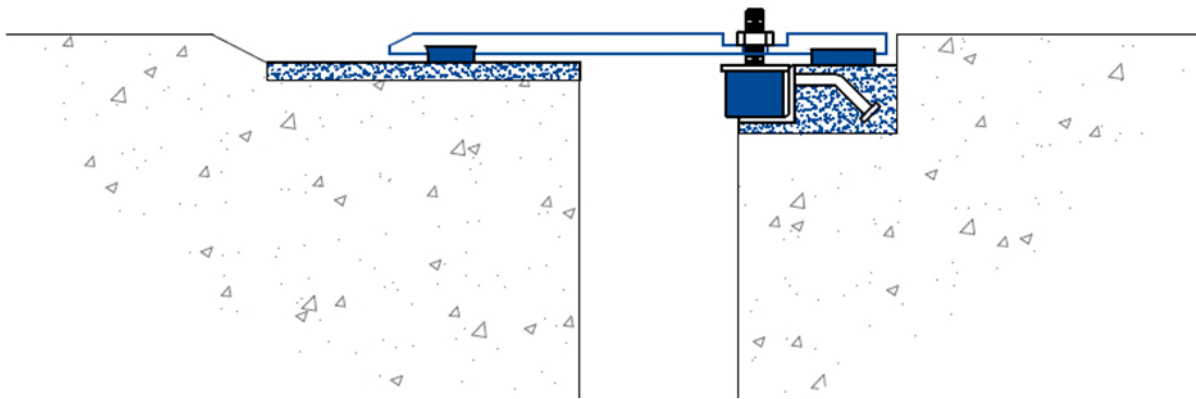
- 4** After Wabo®Crete Parking Series Elastomeric Concrete has fully cured, remove formwork in blockout. Be sure and grind any high spots so that in-fill material (Wabo®Crete Parking Series) is level the entire length of the blockout.



- 
- 5** Place cover plate by aligning over threaded studs from anchor assembly.



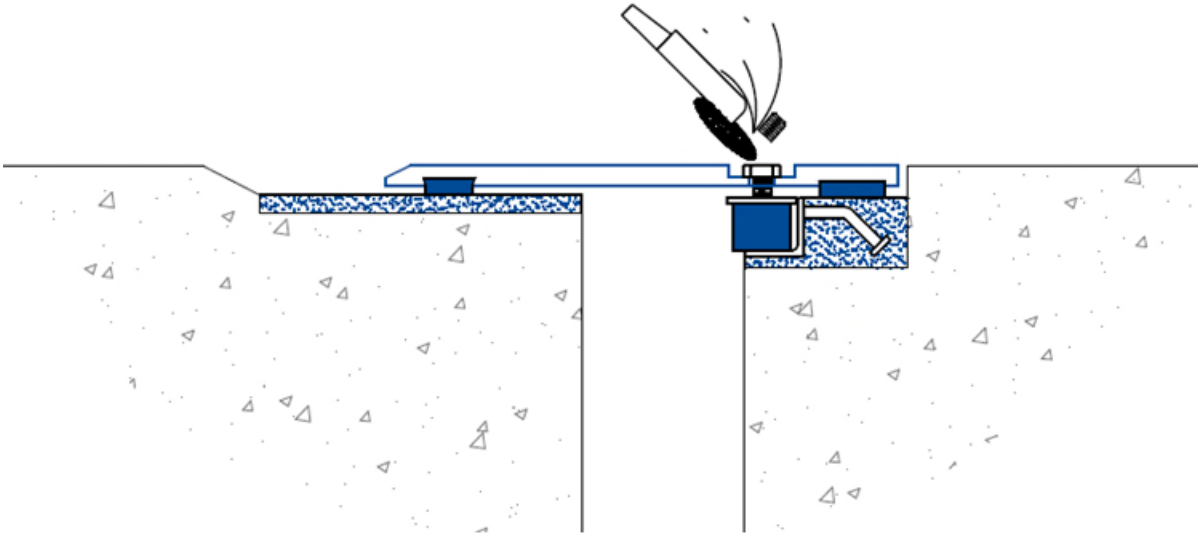
- 
- 6** Use provided Jam Nuts to secure plate and tighten to torque as specified on shop drawings. Typically 15 ft-lbs of torque, or as specified on shop drawings.



- 
- 7** Re-torque all nuts after one (1) hour or installation of one (1) stage is complete. Typically 15 ft-lbs of torque, or as specified on shop drawings.

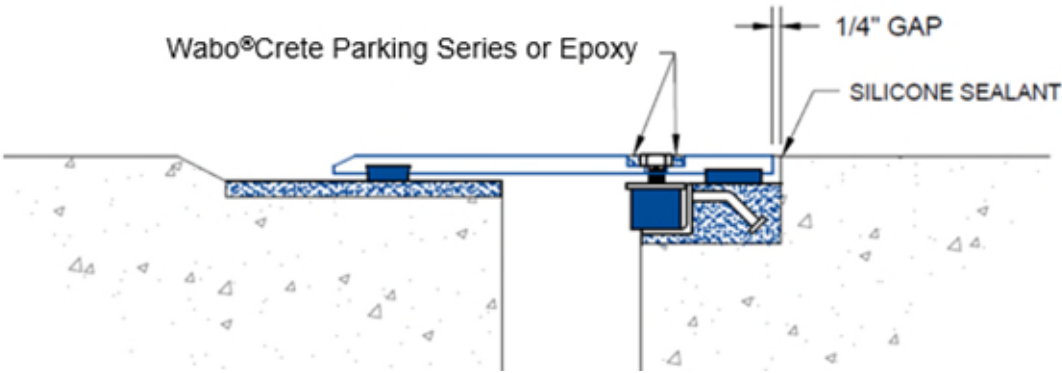
**8**

Carefully trim off excess threaded-stud after nuts are re-torqued.



**9**

Fill bolt holes with Wabo®Crete Parking Series or epoxy, per project specification. If using Wabo®Crete Parking Series Elastomeric Concrete, it is recommended to use “neat material” (Only Parts A & B mixed together, no Part C – aggregate) or a full mixture (parts A, B & C) but with less Part C – aggregate. Please contact WBA for additional guidance if necessary. Fill vertical gap with silicone or sealant, per project specification (not provided by WBA).



*Follow us on social media for industry news, new product announcements & more:*

