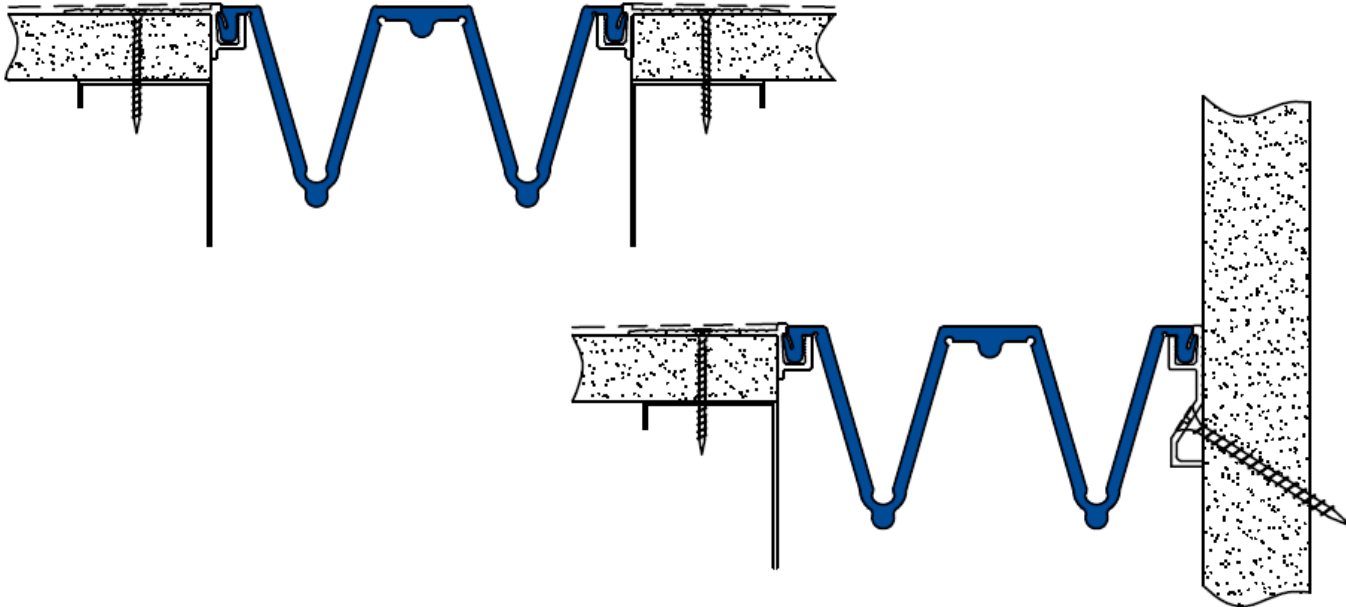


Installation Procedure

Last Updated: April 19th, 2018



Wabo® CorridorWrap, “CWWS” & “CWWS-C” 400-600 ONLY Vertical Expansion Joint System

The following installation procedure is very important and must be fully understood prior to beginning any work. To ensure proper installation and performance of expansion joint system the following actions must be completed by the installing contractor. Failure to do so will affect product warranty.

- 1) Carefully read and understand installation procedure. Contact WBA's Technical Service Department at (800) 677-4922 for product assistance.
- 2) Inspect all shipments and materials for missing or damaged components and hardware. Contact Customer Service at (800) 677-4922 with WBA's order number and invoice for prompt assistance.
- 3) Inspect substrate or adjacent construction for acceptance before beginning work. Report unacceptable construction to the project manager for scheduled repair work.
- 4) Review WBA shop drawings for project specific detailed information if Engineering services were purchased at time of order.

Information provided herein, including but not limited to, any drawing, design, photograph, graphic, or statement(s) ("Materials") are proprietary and the property of Watson Bowman Acme Corp. ("Company"). Reproduction, translation, or reduction to any electronic medium or machine readable form, in whole or part, is strictly prohibited, except for the express purpose for which it has been furnished, without prior written consent of Company. All Materials contained herein are provided by Company for information purposes only. Company reserves the right to amend or withdraw any information contained in the Materials without notice. All technical or other advice by Company, whether verbal or written, concerning products, or the use of products in specific situations ("Advice") is given by Company and is used at the User's own risk.

Health & Safety

During the installation of any Watson Bowman Acme product, appropriate personal protective items should be worn at all times, including but not limited to the following:

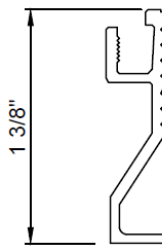
- Proper work clothing
- Safety glasses
- Safety boots
- Gloves
- Hard hat



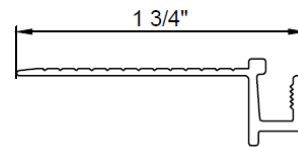
Local rules and regulations regarding safe work environments and health should be followed.

Product Components

The following components are required for the installation of this product:

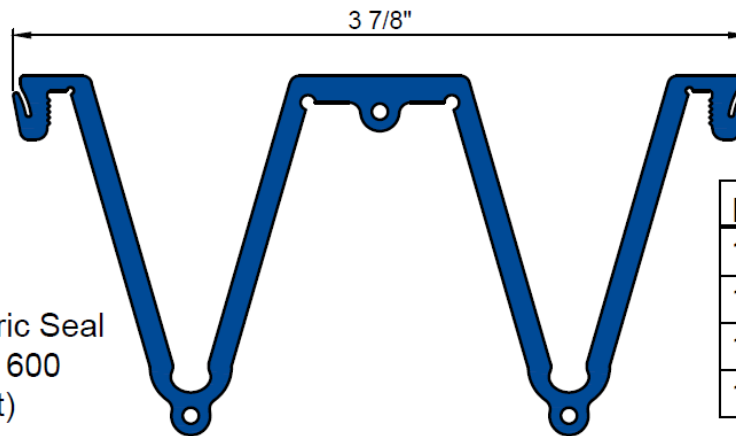


Aluminum Corner Extrusion
(p/n 20401)



Aluminum Extrusion
(p/n 20402)

Components shown below vary in size depending on model of system:

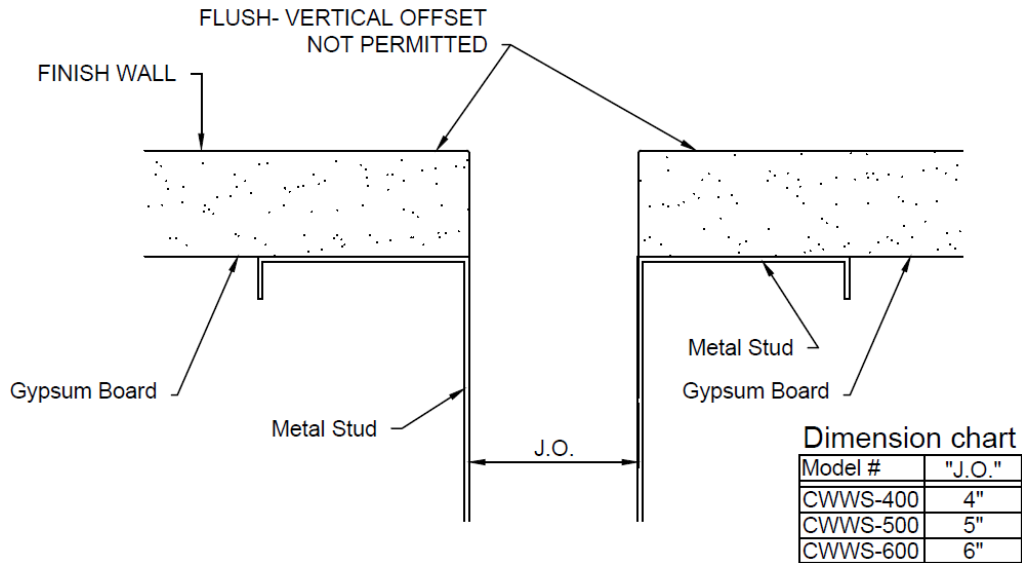


Elastomeric Seal
FSW400- 600
(see chart)

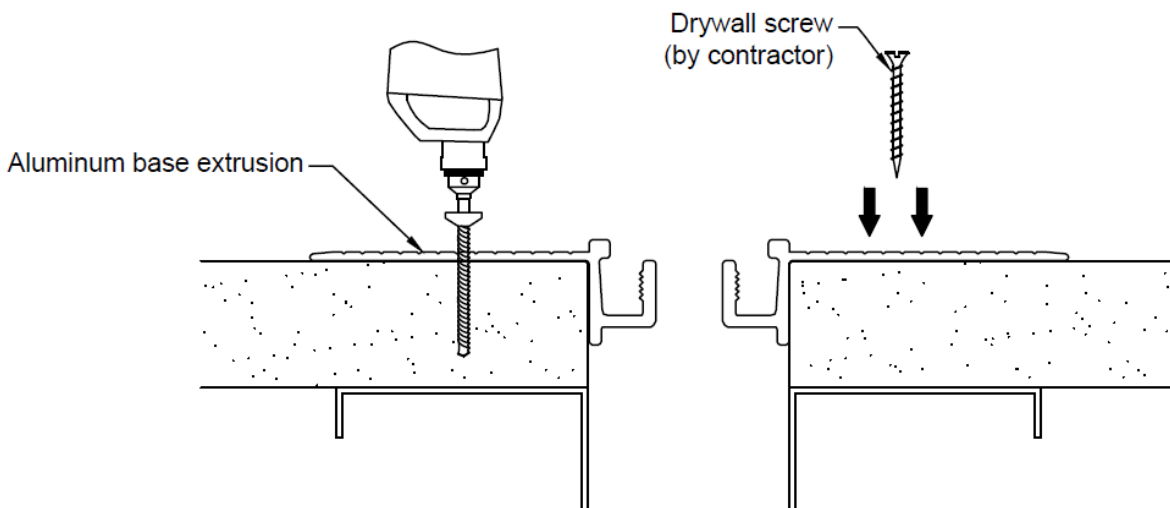
part no.	color
17401	black
17402	gray
17403	beige
17404	white

Installation (Wall-to-Wall)

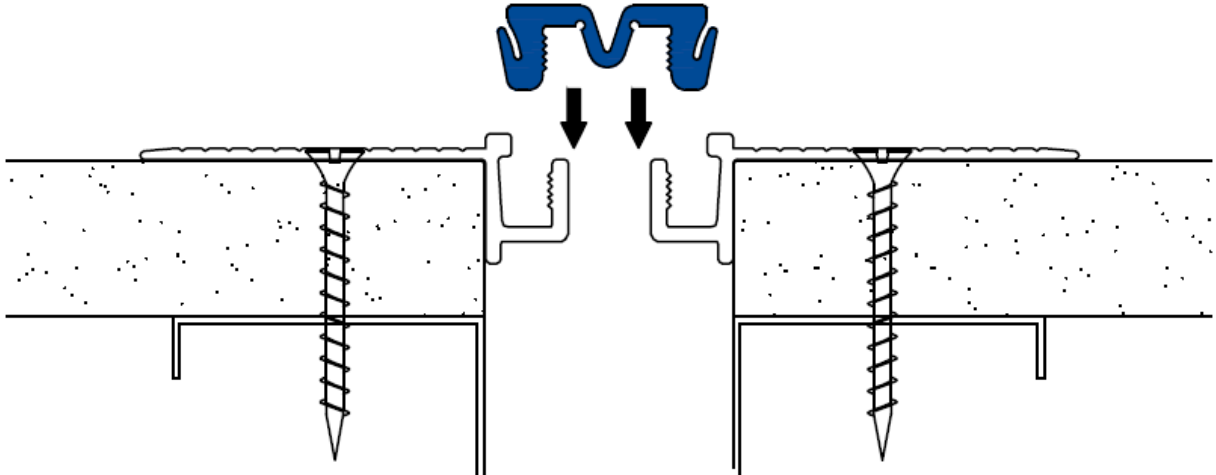
1 Prior to beginning work, installer shall inspect for proper wall construction. Verify joint opening is as called for on chart.



2 Place aluminum wall extrusion on edge of opening as shown. Utilizing drill bit, drill through extrusion, drywall, and into stud. Fasten with drywall screws (by contractor) spaced at 24" o.c. maximum, start 6" from ends.

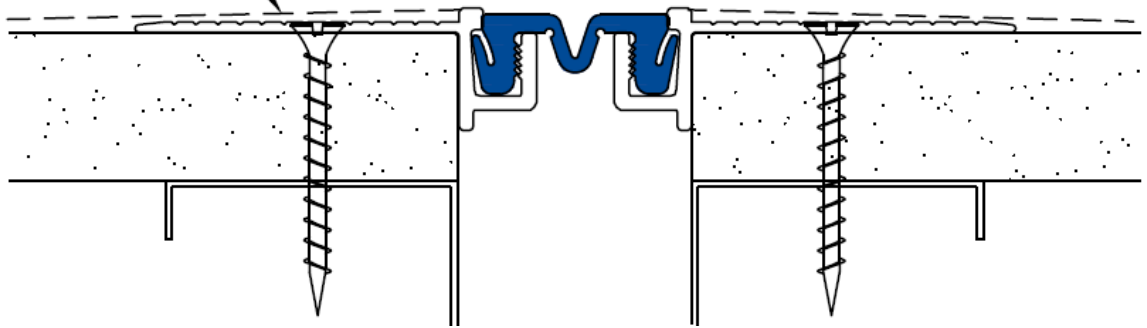


- 3** After completing installation of aluminum wall extrusion, snap lugs of seal into extrusion cavity on both sides of the joint.



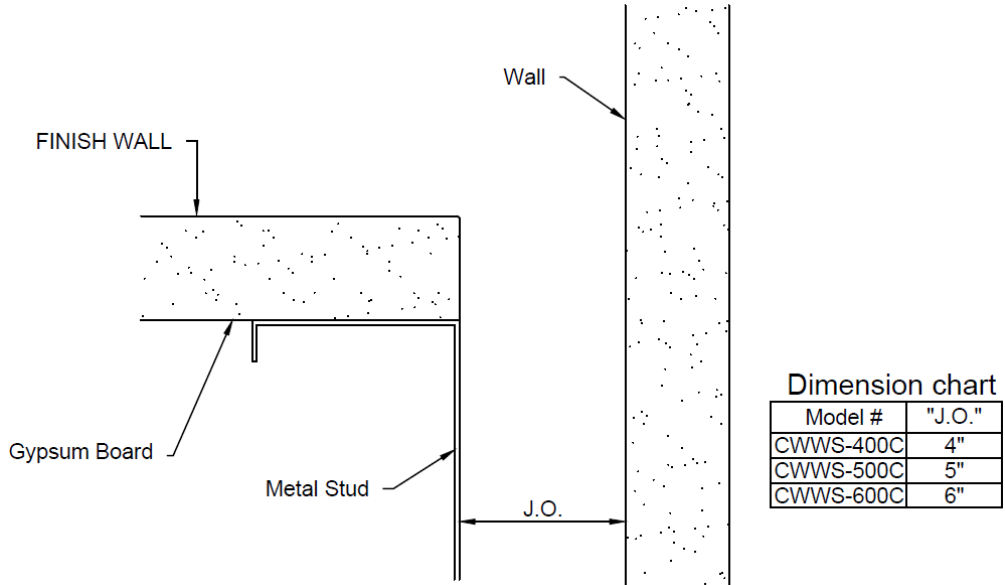
- 4** Installer shall finish aluminum extrusion flange with a coat of joint compound (provided by others).

Joint Compound By Others
(typ)

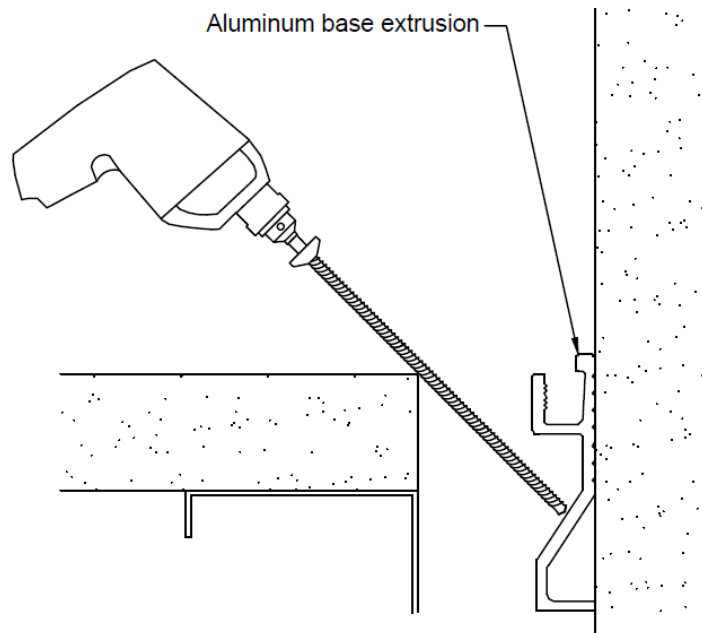


Installation (Corner Condition)

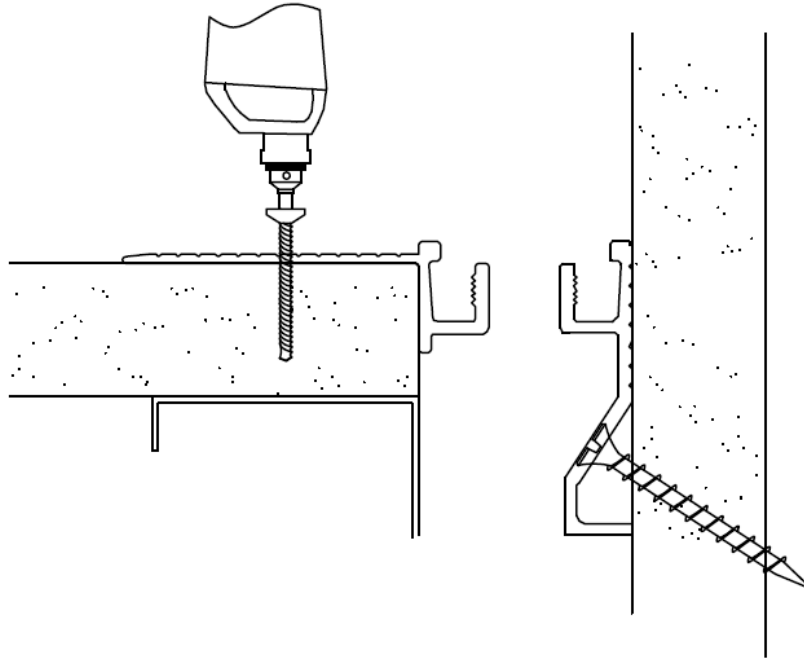
1 Prior to beginning work, installer shall inspect for proper wall construction. Verify joint opening is as called for on chart.



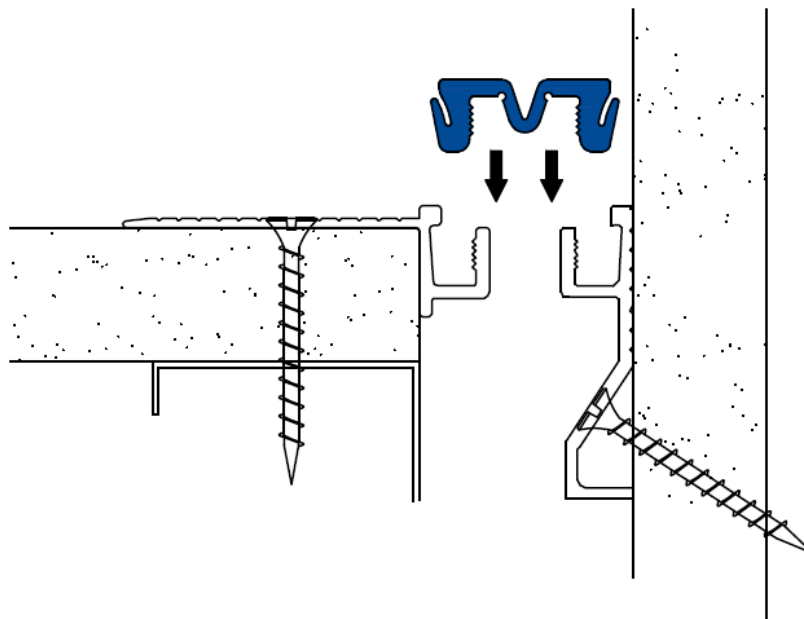
2 Place aluminum corner extrusion on edge of opening as shown. Utilizing a drill bit, drill through extrusion, drywall, and into stud. Fasten with drywall screws (by contractor) spaced at 24" o.c. maximum, start 6" from ends.



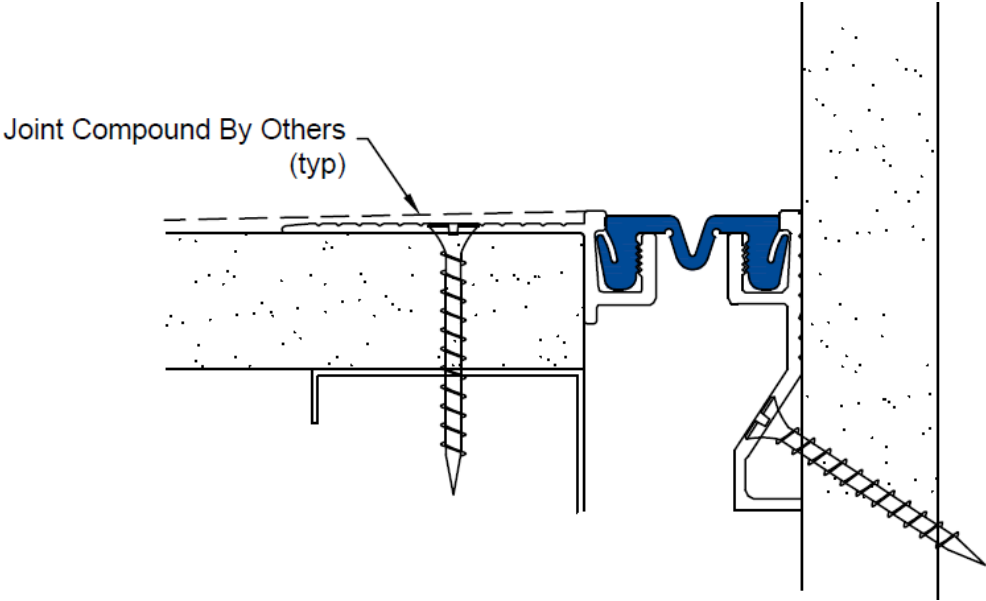
- 3** After completing installation of aluminum corner extrusions, install aluminum wall extrusion according to flush wall instructions.



- 4** After completing installation of aluminum wall extrusions, snap lugs of seal into extrusion cavity on both sides of the joint.



- 5** Installer shall finish aluminum extrusion flange with a coat of joint compound (provided by others).



Follow us on social media for industry news, new product announcements & more:

