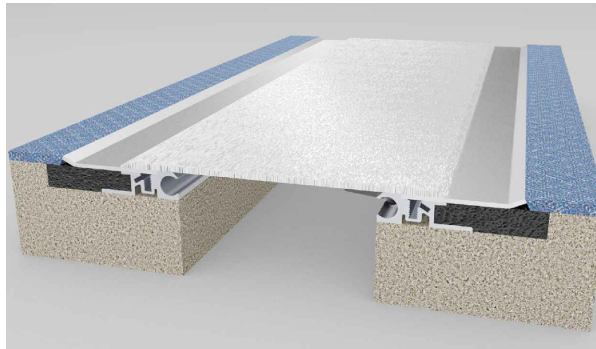




Installation Procedure

Watson Bowman Acme Corp. 95 Pineview Drive Amherst, NY 14228
phone: (716) 691-7566 fax: (716) 691-9239
website: www.wbacorp.com

Information provided herein, including but not limited to, any drawing, design, photograph, graphic, or statement(s) ("Materials") are proprietary and the property of Watson Bowman Acme Corporation ("Company"). Reproduction, translation, or reduction to any electronic medium or machine readable form, in whole or part, is strictly prohibited, except for the express purpose for which it has been furnished, without prior written consent of Company. All Materials contained herein are provided by Company for information purposes only. Company reserves the right to amend or withdraw any information contained in the Materials without notice. All technical or other advice by Company, whether verbal or written, concerning products, or the use of products in specific situations ("Advice") is given by Company and is used at the Users own risk.

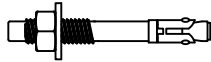


Wabo® SeismicFloor Series Model(s) FJX & FJX-C Horizontal Expansion Control Systems

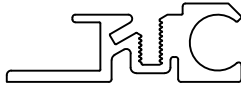
The following installation procedure is very important and must be fully understood prior to beginning any work. To ensure proper installation and performance of expansion joint system the following actions must be completed by the installing contractor. Failure to do so will affect product warranty.

- 1) Carefully read and understand installation procedure. Contact WBA's Technical Service Department at (800) 677-4922 for product assistance.
- 2) Inspect all shipments and materials for missing or damaged components and hardware. Contact Customer Service at (800) 677-4922 with WBA's order number and invoice for prompt assistance.
- 3) Inspect substrate or adjacent construction for acceptance before beginning work. Report unacceptable construction to the project manager for scheduled repair work.
- 4) Review WBA shop drawings for project specific detailed information if Engineering services were purchased at time of order.

Standard Components



1/4" x 2 1/4" Threaded Concrete Anchor w/nut & washer
P/n: 6587



Aluminum Base Extrusion
P/n: 15804



* Aluminum Wall Mount Extrusion
P/n: 17032



1/4" X 1 1/4" Lg Screw
P/n: 5621



1/4" X 3/4" Lg Screw
P/n: 5620



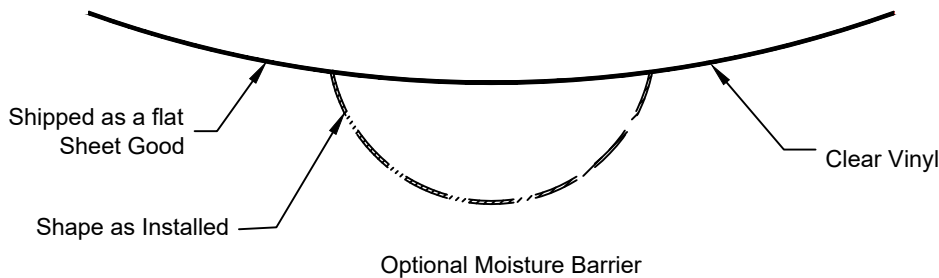
1/4" Dia Tapcon Concrete Anchor
P/n: 6517
(Corner Condition)

Components shown below vary in size depending on model of system

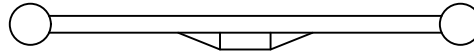


Extension Profile

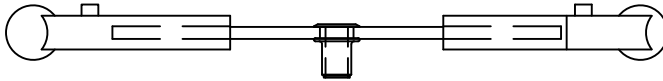
Extension Profile			
MODEL	Part #	MODEL	Part #
FJX-200	12017	FJX-1000	12021
FJX-400	12018	FJX-1200	12022
FJX-600	12019	FJX-1800	12023
FJX-800	12020	FJX-2400	12024



Standard Components



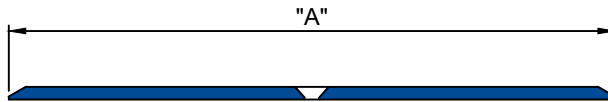
Self-centering Bar
Model FJX-200



Self-centering Bar
Models FJX-400 thru FJX-2400

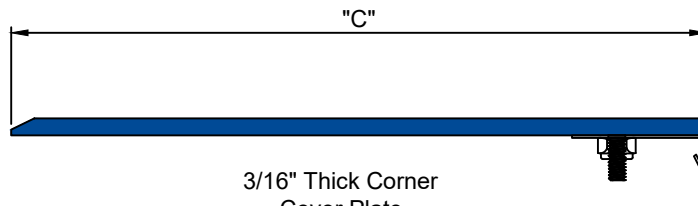
Self-centering bar
(Refer to chart for Part Numbers)

Model	P/N	"B"	Model	P/N	"B"
FJX-200	11089	7"	FJX-1000	15630	18 3/8"
FJX-400	15642	7 3/8"	FJX-1200	15631	22 3/8"
FJX-600	15643	12 3/8"	FJX-1800	15644	32 3/8"
FJX-800	15630	18 3/8"	FJX-2400	15604	38 3/8"



3/16" Thick Cover Plate

Dimension Chart		
System	Part No.	"A"
FJX-200	12002	4"
FJX-400	12003	6-3/4"
FJX-600	12004	9-3/4"
FJX-800	12005	12-3/4"
FJX-1000	12006	15-3/4"
FJX-1200	12007	18-3/4"
FJX-1800	12008	27-3/4"
FJX-2400	12009	36-3/4"



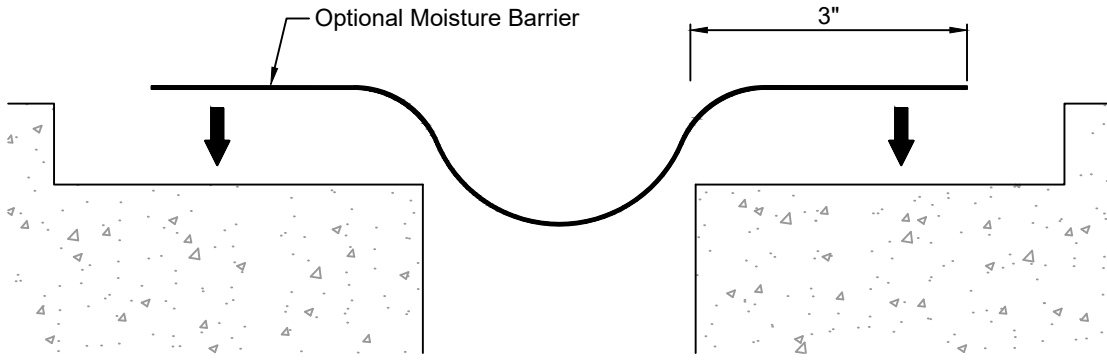
3/16" Thick Corner
Cover Plate

Model	P/N	"C"	Model	P/N	"C"
FJX-200C	12010	2-3/4"	FJX-1000C	12014	12-1/4"
FJX-400C	12011	5-1/2"	FJX-1200C	12016	15-1/4"
FJX-600C	12012	7-3/4"	FJX-1800C	12045	22-3/4"
FJX-800C	12013	10-1/4"	FJX-2400C	12046	30-1/4"

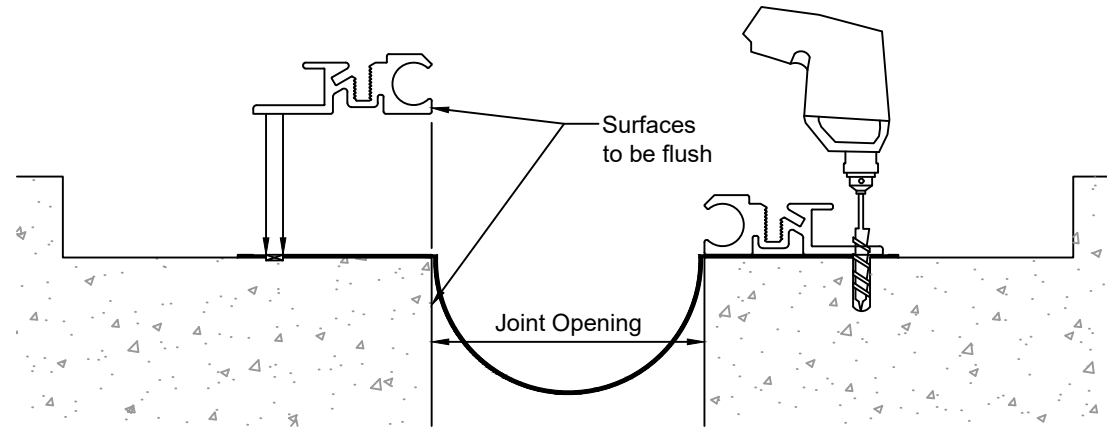
Watson Bowman Acme Corp.
95 Pineview Drive Amherst, NY 14228
phone: (716) 691-7566 fax: (716) 691-9239
website: www.wbacorp.com

Installation procedure: FJX SeismicFloor Sys.
Watson Bowman Acme Corp. reserves the right to amend or withdraw any information contained herein without notice and will not be responsible for any inaccuracy or ambiguity of any information contained herein.

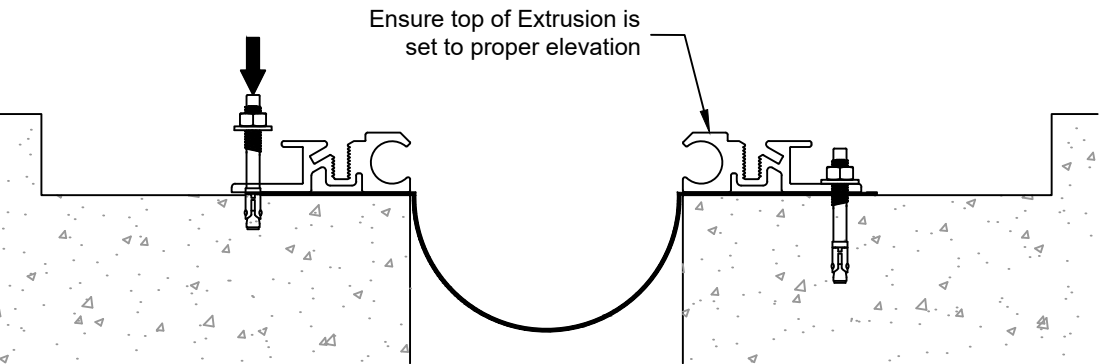




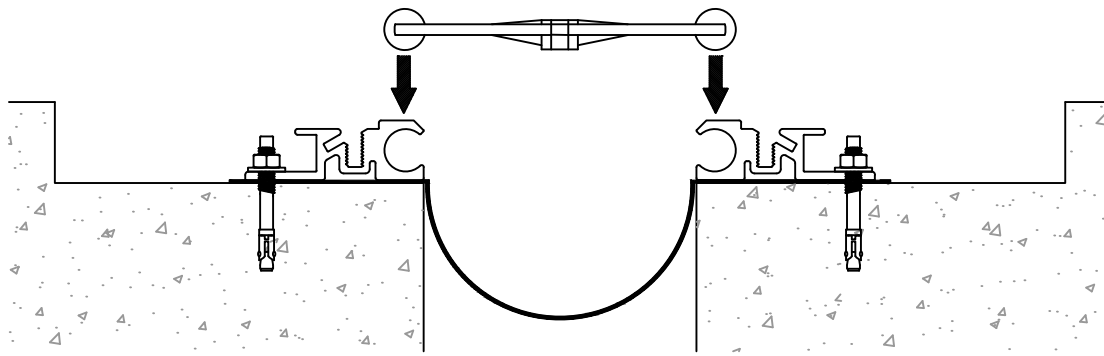
1 **Optional:** Position the moisture barrier into the blockout. Maintain proper overlap and temporarily affix with duct tape.



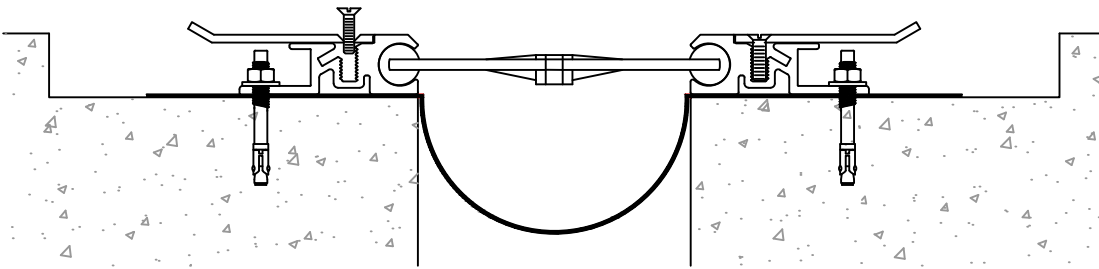
2 Position the Base Member assembly on block out so cavity of Base Member is flush with the edge of the opening. Using Base Member as a template and with it's position fixed, drill hole for 1/4" x 2 1/4" Concrete Anchor (P/N 6587) to proper depth. Clean out holes.



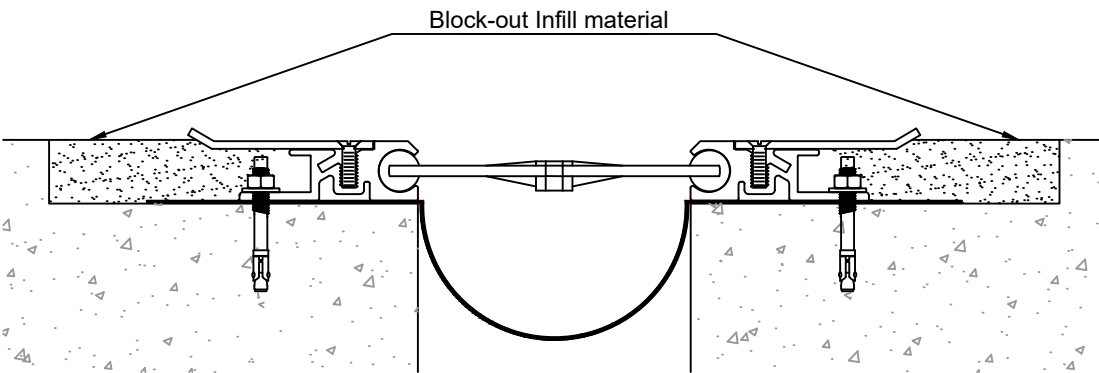
3 Follow manufacture's recommendations for proper Anchor installation. Remove all debris from Moisture Barrier by utilizing shop vac. Caution - Do Not install all Base Members prior to reviewing step 4.



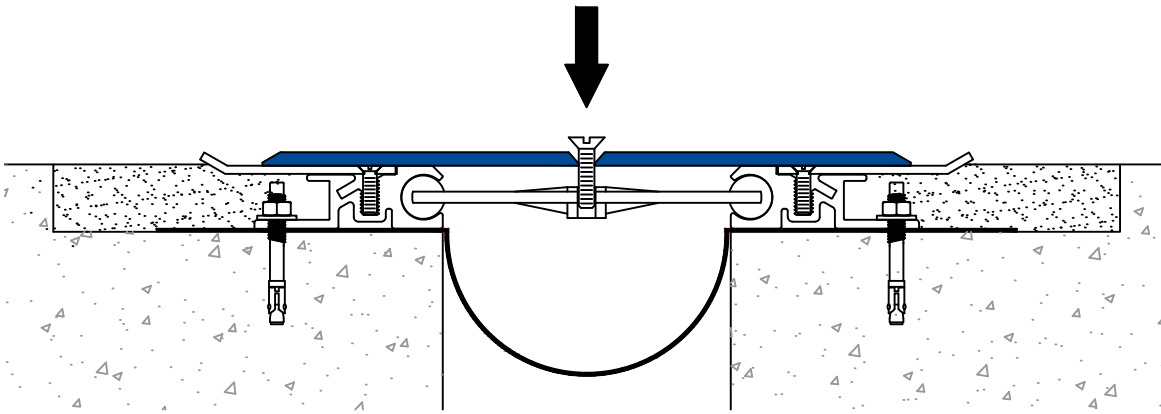
4 As work progresses with placement of Base Members, install Self-Centering Bars by sliding the spherical ends of the bars into and through the circular cavities of the Base Members. Set at an approximate spacing of 18" O.C. ensure that the "TOP" indicator is facing up and that all Bars are in the same orientation.



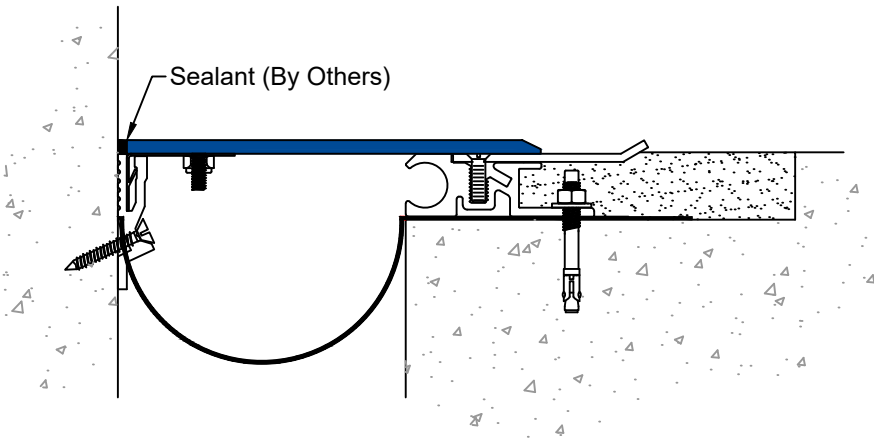
5 Attach extension profile to Base Member utilizing 1/4" diameter machine screw.



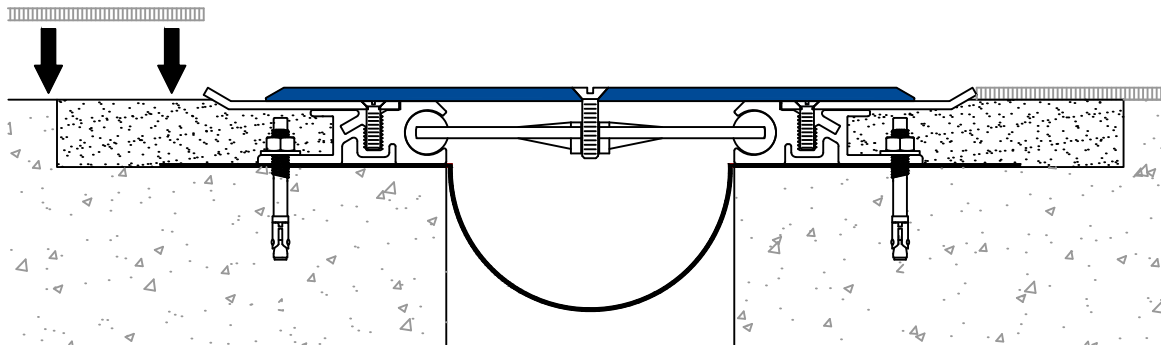
6 Fill block out with high quality non-shrink cementitious filler material. Protect surfaces during placement of filler material.



7 Position the Cover Plate over the expansion opening, align the pre-drilled holes in the Slide Plate with threaded insert in Self-Centering Bars. Fasten with 1/4" x 1 1/4" flat head machine screws. Tighten to create measurable tension in the Bar.



8 Position the coverplate with spring steel extension over the wall mounted aluminum bracket and slide down into extrusion. After the cover palte has been installed, contractor shall apply a continuous bead of sealant (By Others)along edge of coverplate assembly and face of wall.



9 Install flooring material ensuring that it is flush with the top of the expansion joint system. Caution - contact flooring manufacturer to discuss application and procedure for proper installation.