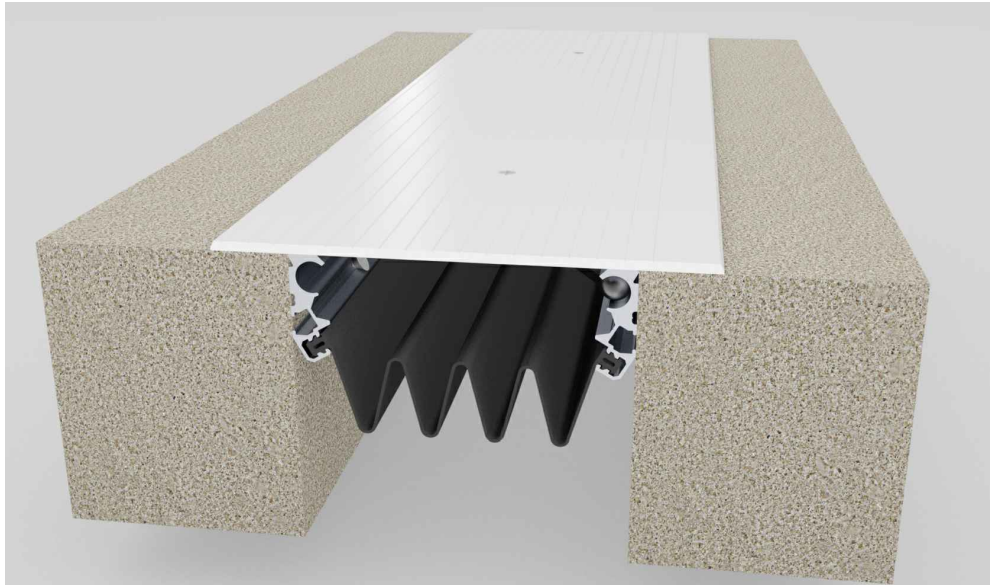




Installation Procedure

Watson Bowman Acme Corp. 95 Pineview Drive Amherst, NY 14228
phone: (716) 691-7566 fax: (716) 691-9239
website: www.watsonbowmanacme.com

Information provided herein, including but not limited to, any drawing, design, photograph, graphic, or statement(s) ("Materials") are proprietary and the property of Watson Bowman Acme Corporation ("Company"). Reproduction, translation, or reduction to any electronic medium or machine readable form, in whole or part, is strictly prohibited, except for the express purpose for which it has been furnished, without prior written consent of Company. All Materials contained herein are provided by Company for information purposes only. Company reserves the right to amend or withdraw any information contained in the Materials without notice. All technical or other advice by Company, whether verbal or written, concerning products, or the use of products in specific situations ("Advice") is given by Company and is used at the Users own risk.



Wabo® SeismicFloor Model(s) FXE-400 - 1800 Horizontal Expansion Control Systems

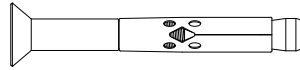
The following installation procedure is very important and must be fully understood prior to beginning any work. To ensure proper installation and performance of expansion joint system the following actions must be completed by the installing contractor. **Failure to do so will affect product warranty.**

- 1) Carefully read and understand installation procedure. Contact WBA's Technical Service Department at (800) 677-4922 for product assistance.
- 2) Inspect all shipments and materials for missing or damaged components and hardware. Contact Customer Service at (800) 677-4922 with WBA's order number and invoice for prompt assistance.
- 3) Inspect substrate or adjacent construction for acceptance before beginning work. Report unacceptable construction to the project manager for scheduled repair work.
- 4) Review WBA shop drawings for project specific detailed information if Engineering services were purchased at time of order.

Standard Components



Aluminum Extrusion
Base Member
P/n: 15398

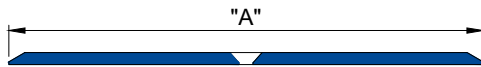


1/4" x 2 1/4" Concrete
Anchor
P/n: 6913



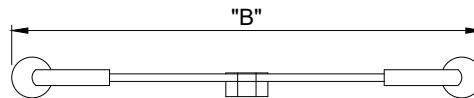
1/4" X 1 1/4" Lg Screw
P/n: 5621

Components shown below vary in size depending on model of system



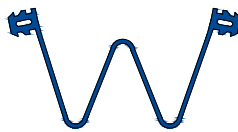
Aluminum Cover Plate

Model	"A"	Part Number
FXE-400	6 1/2"	12032B
FXE-600	9 1/2"	12033B
FXE-800	12 1/2"	12025
FXE-1000	15 1/2"	12026
FXE-1200	18 1/2"	12027
FXE-1800	27 1/2"	12028



Self-Centering Bar

Model	"B"	Part Number
FXE-400	7 3/8"	15642
FXE-600	12 3/8"	15643
FXE-800	18 3/8"	15630
FXE-1000	18 3/8"	15630
FXE-1200	22 3/8"	15631
FXE-1800	32 3/8"	15644



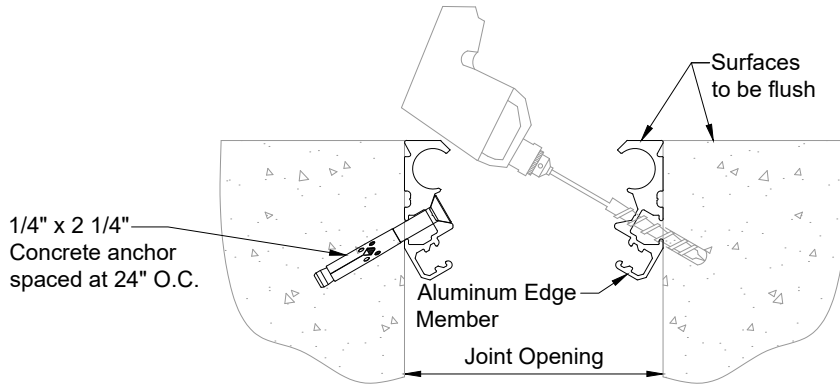
Functional Seal
(refer to chart for size and P/n)

Model	Part Number
FXE-400	1175
FXE-600	1175
FXE-800	1175
FXE-1000	1176
FXE-1200	1176
FXE-1800	1177

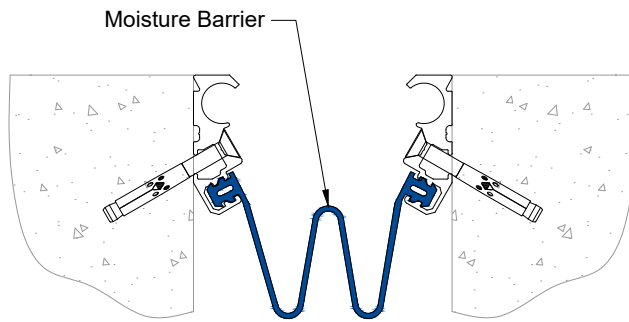
Watson Bowman Acme Corp.
95 Pineview Drive Amherst, NY 14228
phone: (716) 691-7566 fax: (716) 691-9239
website: watsonbowmanacme.com

Installation procedure: FXE SeismicFloor Sys.
Watson Bowman Acme Corp. reserves the right to amend or withdraw any information contained herein without notice and will not be responsible for any inaccuracy or ambiguity of any information contained herein.

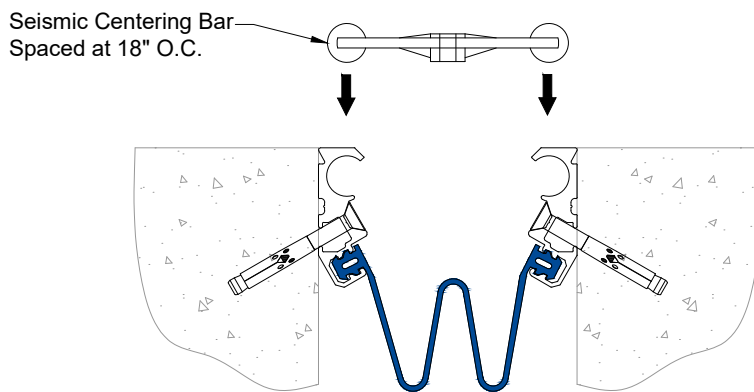




1 Position Base Member so that the top is Flush with the top of the Concrete Surface. Using Base Member as a template and with its position fixed, drill holes for 1/4" x 2 1/4" Concrete Anchor (P/N:6913) spaced at 24" O.C. to the proper depth. Clean out holes and install anchor.



2 Install Moisture Barrier using a soap & water mixture if needed.

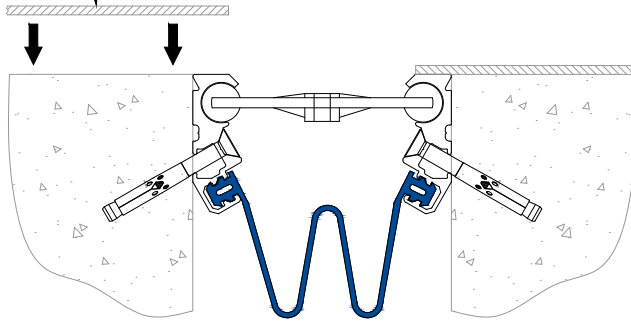


3 As work progresses with placement of Base Members, install Self-Centering Bars by sliding the spherical ends of the bars into and through the circular cavities of the Base Members. Set at an approximate spacing of 18" O.C. Ensure that the "top" indicator is facing up and that all bars are in same orientation.

Installation procedure: FXE SeismicFloor Sys.
Watson-Bowman-Acme Corp. reserves the right to amend or withdraw any information contained herein without notice and will not be responsible for any inaccuracy or ambiguity of any information contained herein.

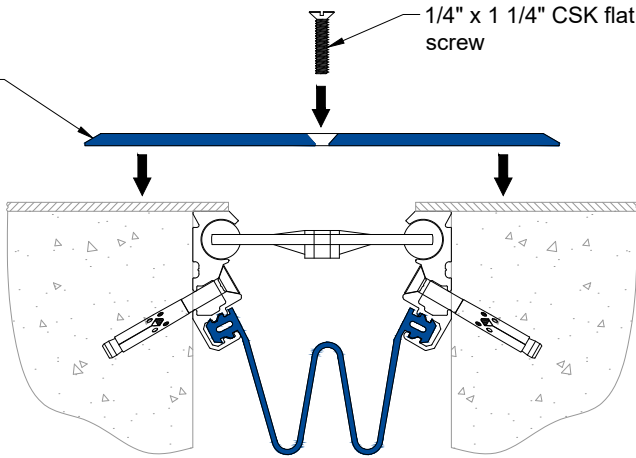


Finished Flooring Material
(By Others)



- 4** Install Finished Flooring material. Ensure flush installation with top of expansion joint system.
Caution - Contact flooring manufacturer to discuss application and procedure for proper installation.

Aluminum CoverPlate



- 5** Position the center slide plate over expansion opening, align pre-drilled holes in slide plate with threaded insert in self-centering bars. Fasten with 1/4" x 1 1/4" CSK flat screw. Tighten to create measurable tension in the bar.

Installation procedure: FXE SeismicFloor Sys.
Watson Bowman Acme Corp. reserves the right to amend or withdraw any information contained herein without notice and will not be responsible for any inaccuracy or ambiguity of any information contained herein.