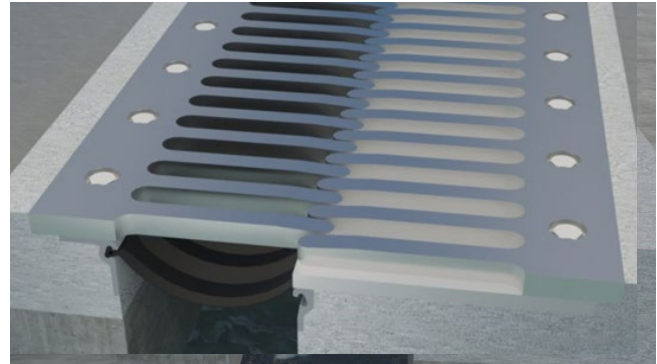


# Wabo® FingerPlus (FINP)

Uni-directional, Sliding Finger Joint System

Features	Benefits
Ease of Maintenance	Seal inspection, maintenance and replacement can now be completed from top of deck saving time and money
Water Management	More robust and less susceptible to corrosion than typical trough mounting hardware
Sound Attenuation	Low height profile engineered to reduce noise
Fingers installed in 6' sections	Ideal for staged construction along with limiting lane closures for repairs.
Fully compliant	AASHTO standards LRFD Bridge Design Section 14.5



## RECOMMENDED FOR:

- New construction that contains uni-directional movements where finger joint technology is preferred
- Retro-fit applications where shallow blockout geometry exists

## DESCRIPTION:

Wabo® FingerPlus patented finger joint system expands the use and application of finger joint technology. Single direction of movement ranging from 6 to 24". The 6' sections make for a simple modular installation, an ideal fit for staged construction. Segmental finger construction allows easy maintenance of all components from the bridge deck with minimizing interruption of traffic flow. Optional features help to enhance the system maintenance and installation experience.

## KEY FEATURES:

- Designed and manufactured to meet your unique and complex projects.
- Ideal for segmental installation with 6' finger joint sections
- Simplifies maintenance and repair activity with ease access from top of bridge deck
- Accommodates AASHTO design requirements for vehicular loads and opening requirements

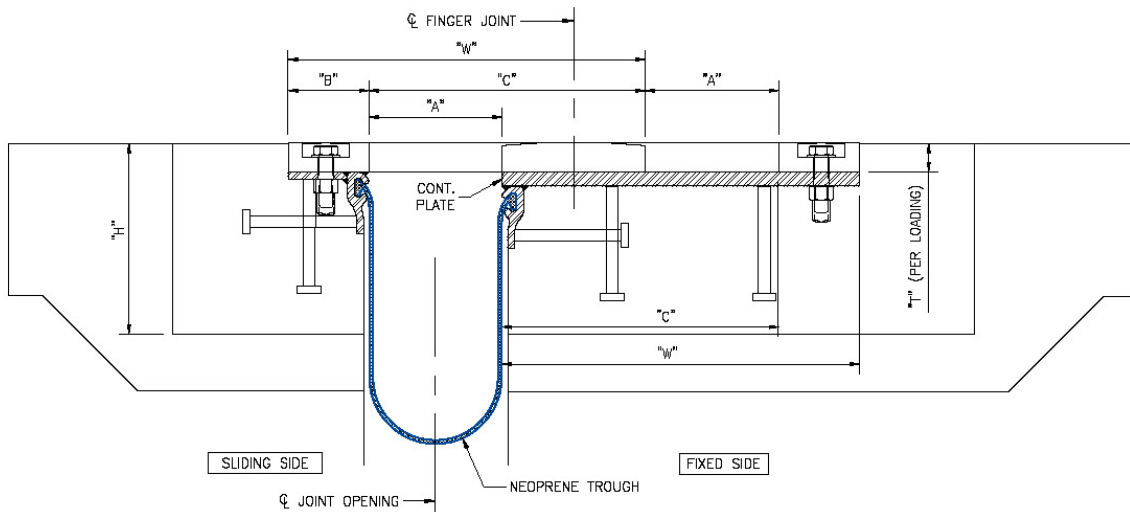
## ADD-ON FEATURE:

- Wabo® FingerPlus-EasyClear
- Bulkhead Form Work

### PACKAGING/COVERAGE:

- Finger plates and support system components packaged as complete; factory assembled to suit staged installation or project specific needs
- Optional Wabo®FingerPlus-EasyClear debris management system or bulkhead closure plates can be installed at the factory.
- Wabo®PrimaLub packaged in one (1) gallon containers.

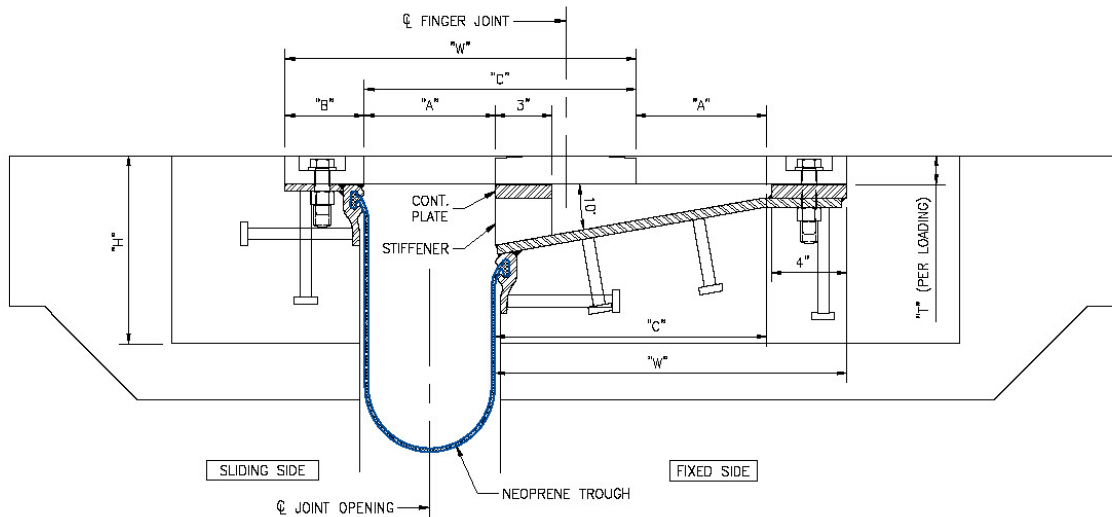
### TECHNICAL DATA:



FINGER JOINT SIZE	MOVEMENT	JOINT OPENING "A"			BOLT LANDING LENGTH "B"	FINGER LENGTH "C"	BLOCKOUT DEPTH "H"	PLATE WIDTH "W"	PLATE THICKNESS "T"
		MIN.	MID.	MAX.					
600P	6	1	4	7	4.25	8.5	10	12.75	1
900P	9	1	5.5	10	4.25	11.5	10	15.75	1
1200P	12	1	7	13	4.25	14.5	10	18.75	1.25
1400P	14	1	8	15	4.25	16.5	11	20.75	1.5
1600P	16	1	9	17	4.25	18.5	11	22.75	1.5
1800P	18	1	10	19	4.25	20.5	12	24.75	1.5
2000P	20	1	11	21	4.25	22.5	12	26.75	1.75
2200P	22	1	12	23	4.25	24.5	13	28.75	1.75
2400P	24	1	13	25	4.25	26.5	13	30.75	2

**Wabo® FingerPlus Finger Plates-** Fabricated with downward taper towards end of fingers to make for smooth ride

**TECHNICAL DATA: Wabo®FingerPlus-EasyClear** (Patented technology)



FINGER JOINT SIZE	MOVEMENT	JOINT OPENING "A"			BOLT LANDING LENGTH "B"	FINGER LENGTH "C"	BLOCKOUT DEPTH "H"	PLATE WIDTH "W"	PLATE THICKNESS "T"
		MIN.	MID.	MAX.					
600D	6	1	4	7	4.25	8.5	10	12.75	1
900D	9	1	5.5	10	4.25	11.5	10	15.75	1
1200D	12	1	7	13	4.25	14.5	10	18.75	1.25
1400D	14	1	8	15	4.25	16.5	11	20.75	1.5
1600D	16	1	9	17	4.25	18.5	11	22.75	1.5
1800D	18	1	10	19	4.25	20.5	12	24.75	1.5
2000D	20	1	11	21	4.25	22.5	12	26.75	1.75
2200D	22	1	12	23	4.25	24.5	13	28.75	1.75
2400D	24	1	13	25	4.25	26.5	13	30.75	2

**Wabo® FingerPlus-EasyClear Debris Removal System-**

Pitched support plate to facilitate quick flushing and debris removal

## INSTALLATION SUMMARY:

- **Concrete** - Concrete interface must be dry and clean (free of dirt, coatings, rust, greases, oil and other contaminants), sound and durable. Loose, contaminated, spalled, deteriorated and/or delaminated concrete must be removed to sound concrete and repaired prior to placement of the expansion control system. New concrete must be cured (minimum of 14 days recommended).
- Prepare blockout to proper widths and depths, and place formwork.
- Using temporary lifting devices, set assembly into proper position and joint opening width in the roadway surface.
- Pour concrete into blockout area, making sure all vent holes are filled with concrete at the completion of the pour.
- Temporary lifting devices are removed as soon as practical to allow system movement with adjacent construction.
- Make certain the most current version of the product data sheet is being used. Please consult the website ([www.watsonbowmanacme.com](http://www.watsonbowmanacme.com)) or contact a customer service representative at 1-800- 677-4922.
- Proper application is the responsibility of the user. Field visits by Watson Bowman Acme personnel are for the purpose of making technical recommendations only and not for supervising or providing quality control on the jobsite.

## GUTTER INSTALLATION:

- If gutter is not pre-assembled, after concrete cure, remove sliding side finger plates by removing the bolts.
- Apply Wabo<sup>®</sup>PrimaLub to machined cavity along each side of support plates, and a small portion on the rubber lug of gutter.
- Insert bottom lug of gutter into machined cavity and insert top lug into cavities on each side of gutter using a seal installation tool.
- Remove excess Wabo<sup>®</sup>PrimaLub.
- Replace sliding side finger plates and properly torque bolts.

## FOR BEST RESULTS:

- Shelf life of chemical components is 1 year.
- Periodically inspect connection pins for tightness, and re-torque to WBA recommendations as needed. See approved drawings for torque recommendations.
- Consult Watson Bowman Acme Engineering department with further questions

## RELATED DOCUMENTS:

- Material Safety Data Sheets
- Wabo<sup>®</sup>FingerPlus Technical Specification
- Wabo<sup>®</sup>FingerPlus Project Shop Drawings
- Wabo<sup>®</sup>FingerPlus Installation Procedure
- Wabo<sup>®</sup>FingerPlus Datasheet
- Wabo<sup>®</sup>FingerPlus Fact Sheet



BUILDING TRUST



**LIMITED WARRANTY:**

Watson Bowman Acme Corp. warrants that this product conforms to its current applicable specifications. WATSON BOWMAN ACME CORP. MAKES NO OTHER WARRANTY, EXPRESS OR IMPLIED, INCLUDING ANY WARRANTY OF MERCHANTABILITY OR WARRANTY OF FITNESS FOR A PARTICULAR PURPOSE. The sole and exclusive remedy of Purchaser for any claim concerning this product, including, but not limited to, claims alleging breach of warranty, negligence, strict liability or otherwise, is the replacement of product or refund of the purchase price, at the sole option of Watson Bowman Acme Corp. Any claims concerning this product shall be submitted in writing within one year of the delivery date of this product to Purchaser and any claims not presented within that period are waived by Purchaser. IN NO EVENT SHALL WATSON BOWMAN ACME CORP. BE LIABLE FOR ANY SPECIAL, INCIDENTAL, CONSEQUENTIAL (INCLUDES LOSS OF PROFITS) OR PUNITIVE DAMAGES. Other warranties may be available when the product is installed by a factory trained installer. Contact your local Watson Bowman Acme representative for details. The data expressed herein is true and accurate to the best of our knowledge at the time published; it is, however, subject to change without notice. *Watson Bowman Acme Corp. reserves the right to amend or withdraw any information contained herein without notice and will not be responsible or liable for any inaccuracy or ambiguity of any information contained herein.*

**WaboFingerPlus\_FingerJoint®\_0824**



Watson Bowman Acme  
95 Pineview Drive  
Amherst, NY 14228  
phone: 716-691-7566  
fax: 716-691-9239  
watsonbowmanacme.com



SIKA CORPORATION  
201 Polito Avenue  
Lyndhurst, NJ 07071 USA  
Phone: +1-800-933-7452  
Fax: +1-2019336225  
www.usa.sika.com