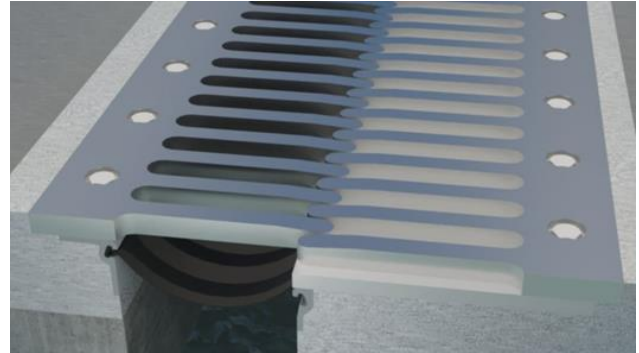


Wabo®FingerPlus (FINP)

Uni-directional, Sliding Finger Joint System

Features	Benefits
Ease of Maintenance	Seal inspection, maintenance and replacement can now be completed from top of deck saving time and money
Water Management	More robust and less susceptible to corrosion than typical trough mounting hardware
Sound Attenuation	Low height profile engineered to reduce noise
Impact Resistance	Robust design to accommodate high impact and repetitive loading conditions.
Install in 6' Sections	Ideal for staged construction along with limiting lane closures for repairs.
Fully compliant	AASHTO standards
Add-on feature	<ul style="list-style-type: none"> • Wabo®FingerPlus-EasyClear Drain Trough • Bulkhead Form Work



DESCRIPTION:

Wabo®FingerPlus patent pending finger joint system expands the use and application of finger joint technology. Single direction of movement ranging from 6 to 24". The 6' sections make for a simple modular installation, an ideal fit for staged construction. Segmental finger construction allows easy maintenance of all components from the bridge deck with minimizing interruption of traffic flow. Optional features help to enhance the system maintenance and installation experience.

RECOMMENDED FOR:

- New construction that contains uni-directional movements where finger joint technology is preferred
- Retro-fit applications where shallow blackout geometry exists

WaboStandardFingerJoint_0822

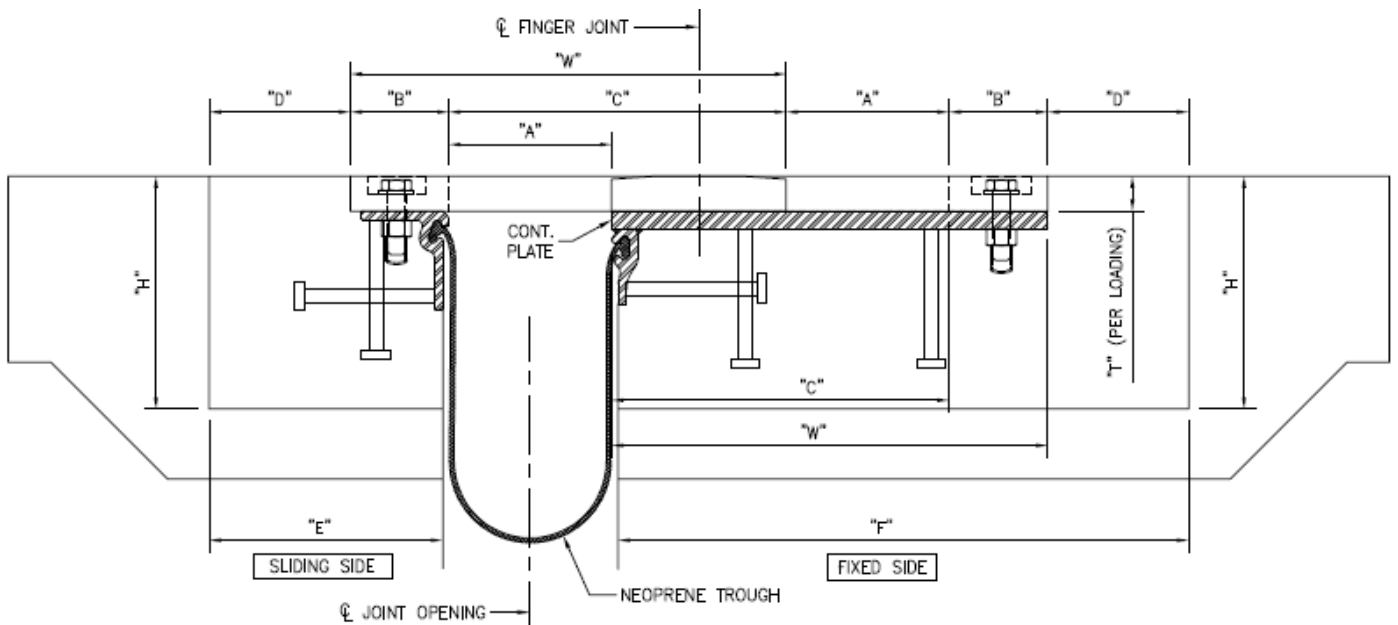
KEY FEATURES:

- Designed and manufactured to meet your unique and complex projects.
- Ideal for segmental installation with 6' length sections
- Simplifies maintenance and repair activity with ease access from top of bridge deck
- Water management and drainage system saves time and money
- Accommodates AASHTO design requirements for vehicular loads and opening requirements
- All maintenance activity and access from top of bridge deck

PACKAGING/COVERAGE:

- Finger plates and support system components packaged as complete; factory assembled to suit staged installation
- Optional Wabo®FingerPlus-EasyClear Drain Trough and bulkhead can be installed at the factory.
- Wabo®PrimaLub packaged in one (1) gallon containers.

TECHNICAL DATA: Wabo®FingerPlus



WaboStandardFingerJoint_0822

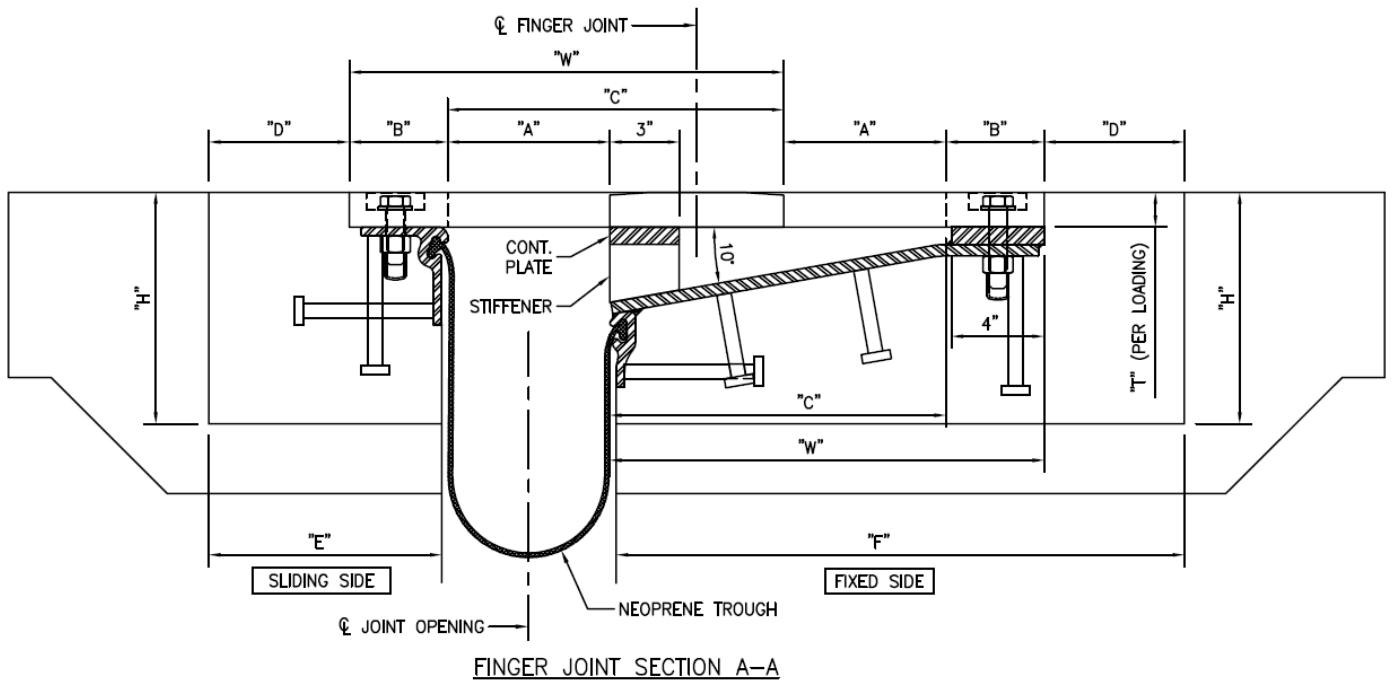
**FINGER JOINT SECTION A-A
PLUS TROUGH**

FINGER JOINT SIZE	MOVEMENT	JOINT OPENING "A"			BOLT LANDING LENGTH	FINGER LENGTH	CONC. POUR ACCESS	SLIDING SIDE BLOCKOUT WIDTH	FIXED SIDE BLOCKOUT WIDTH	BLOCKOUT DEPTH	PLATE WIDTH	PLATE THICKNESS
		MIN.	MID.	MAX.								
600D/P	6	1	4	7	4.25	8.5	6	10	18.5	10	12.75	1
900D/P	9	1	5.5	10	4.25	11.5	6	10	21.5	10	15.75	1
1200D/P	12	1	7	13	4.25	14.5	6	10	24.5	10	18.75	1.25
1400D/P	14	1	8	15	4.25	16.5	6	10	26.5	11	20.75	1.5
1600D/P	16	1	9	17	4.25	18.5	6	10	28.5	11	22.75	1.5
1800D/P	18	1	10	19	4.25	20.5	6	10	30.5	12	24.75	1.5
2000D/P	20	1	11	21	4.25	22.5	6	10	32.5	12	26.75	1.75
2200D/P	22	1	12	23	4.25	24.5	6	10	34.5	13	28.75	1.75
2400D/P	24	1	13	25	4.25	26.5	6	10	36.5	13	30.75	2

Wabo® FingerPlus Support Plates

Fabricated with downward taper towards end of fingers to make for smooth ride and not to interfere with snow removal efforts

TECHNICAL DATA: Wabo®FingerPlus-EasyClear ([Patent pending technology](#))



WaboStandardFingerJoint_0822



FINGER JOINT SECTION A-A
PLUS DEBRIS REMOVAL

FINGER JOINT SIZE	MOVEMENT	JOINT OPENING "A"			BOLT LANDING LENGTH	FINGER LENGTH	CONC. POUR ACCESS	SLIDING SIDE BLOCKOUT WIDTH	FIXED SIDE BLOCKOUT WIDTH	BLOCKOUT DEPTH	PLATE WIDTH	PLATE THICKNESS
		MIN.	MID.	MAX.								
600D/P	6	1	4	7	4.25	8.5	6	10	18.5	10	12.75	1
900D/P	9	1	5.5	10	4.25	11.5	6	10	21.5	10	15.75	1
1200D/P	12	1	7	13	4.25	14.5	6	10	24.5	10	18.75	1.25
1400D/P	14	1	8	15	4.25	16.5	6	10	26.5	11	20.75	1.5
1600D/P	16	1	9	17	4.25	18.5	6	10	28.5	11	22.75	1.5
1800D/P	18	1	10	19	4.25	20.5	6	10	30.5	12	24.75	1.5
2000D/P	20	1	11	21	4.25	22.5	6	10	32.5	12	26.75	1.75
2200D/P	22	1	12	23	4.25	24.5	6	10	34.5	13	28.75	1.75
2400D/P	24	1	13	25	4.25	26.5	6	10	36.5	13	30.75	2

Wabo® FingerPlus-EasyClear Debris Removal System

Pitched support plate to facilitate quick flushing and debris removal

INSTALLATION SUMMARY:

- **Concrete** - Concrete interface must be dry and clean (free of dirt, coatings, rust, greases, oil and other contaminants), sound and durable. Loose, contaminated, spalled, deteriorated and/or delaminated concrete must be removed to sound concrete and repaired prior to placement of the expansion control system. New concrete must be cured (minimum of 14 days recommended).
- Prepare blockout to proper widths and depths, and place formwork.
- Using temporary lifting devices, set assembly into proper position and joint opening width in the roadway surface.
- Pour concrete into blockout area, making sure all vent holes are filled with concrete at the completion of the pour.
- Temporary lifting devices are removed as soon as practical to allow system movement with adjacent construction.
- Make certain the most current version of the product data sheet is being used. Please consult the website (www.wbacorp.com) or contact a customer service representative at 1-800-677-4922.
- Proper application is the responsibility of the user. Field visits by Watson Bowman Acme personnel are for the purpose of making technical recommendations only and not for supervising or providing quality control on the jobsite.

[WaboStandardFingerJoint_0822](#)



OPTIONAL GUTTER INSTALLATION:

- If gutter is not pre-assembled, at least 24 hours after completion of initial installation and setting of finger joint assembly, remove Trident finger plates by removing the connection pins.
- Apply Wabo®PrimaLub to machined cavity along each side of support plates, and a small portion on the rubber lug of gutter.
- Insert bottom lug of gutter into machined cavity and insert top lug into cavities on each side of gutter using a seal installation tool.
- Remove excess Wabo®PrimaLub.

FOR BEST RESULTS:

- Shelf life of chemical components is 1 year.
- Periodically inspect connection pins for tightness, and re-torque to WBA recommendations as needed. Consult a Watson Bowman Acme representative for

RELATED DOCUMENTS:

- Material Safety Data Sheets
- Wabo®FingerPlus Technical Specification
- Wabo®FingerPlus Project Shop Drawings
- Wabo®FingerPlus Installation Procedure
- Wabo®FingerPlus Datasheet

LIMITED WARRANTY:

Watson Bowman Acme Corp. warrants that this product conforms to its current applicable specifications. WATSON BOWMAN ACME CORP. MAKES NO OTHER WARRANTY, EXPRESS OR IMPLIED, INCLUDING ANY WARRANTY OF MERCHANTABILITY OR WARRANTY OF FITNESS FOR A PARTICULAR PURPOSE. The sole and exclusive remedy of Purchaser for any claim concerning this product, including, but not limited to, claims alleging breach of warranty, negligence, strict liability or otherwise, is the replacement of product or refund of the purchase price, at the sole option of Watson Bowman Acme Corp. Any claims concerning this product shall be submitted in writing within one year of the delivery date of this product to Purchaser and any claims not presented within that period are waived by Purchaser. IN NO EVENT SHALL WATSON BOWMAN ACME CORP. BE LIABLE FOR ANY SPECIAL, INCIDENTAL, CONSEQUENTIAL (INCLUDES LOSS OF PROFITS) OR PUNITIVE DAMAGES. Other warranties may be available when the product is installed by a factory trained installer. Contact your local Watson Bowman Acme representative for details. The data expressed herein is true and accurate to the best of our knowledge at the time published; it is, however, subject to change without notice. *Watson Bowman Acme Corp. reserves the right to amend or withdraw any information contained herein without notice and will not be responsible or liable for any inaccuracy or ambiguity of any information contained herein.*

[WaboStandardFingerJoint_0822](#)

Watson Bowman Acme
95 Pineview Drive
Amherst, NY 14228
phone: 716-691-7566
fax: 716-691-9239
watsonbowmanacme.com