

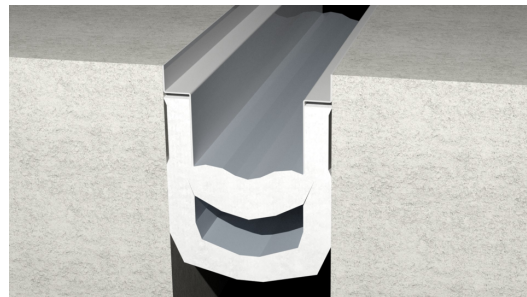
Wabo®FireFlexLT

Large Movement Fire Barrier Systems for Expansion Joints

Features	Benefits
<ul style="list-style-type: none"> • Excellent movement capability 	Cycle tested to exceed ASTM E-1399. Rated for both Class II and III movement classifications under UL-2079.
<ul style="list-style-type: none"> • 100% movement 	Exceeds movement capability of similar systems and fire stop assemblies
<ul style="list-style-type: none"> • Up to 2 hour ratings 	Listed by Underwriters Laboratories (U.L.)

DESCRIPTION:

Wabo®FireFlexLT is tested, witnessed and approved to accommodate multi-directional large movements. Wabo®FireFlexLT incorporates high temperature fire resistive blankets, stainless steel foil wrap, cycling shields, and galvanized edge retainers. Wabo®FireFlexLT is cycle tested to exceed ASTM E-1399 and is listed with Underwriters Laboratories for both Class II and III movement classifications.



RECOMMENDED FOR:

- For standard and large joint openings 2" to 20".
- Applications that must meet the requirements of ASTM E-119, NFPA-251 UBC 7-1, UL-2079 for fire endurance and UL-2079 Class II and III, ASTM E-1399 and ICBO ES AC30 for cycle testing.
- Applications with movement normal to expansion opening.

PACKAGING/COVERAGE:

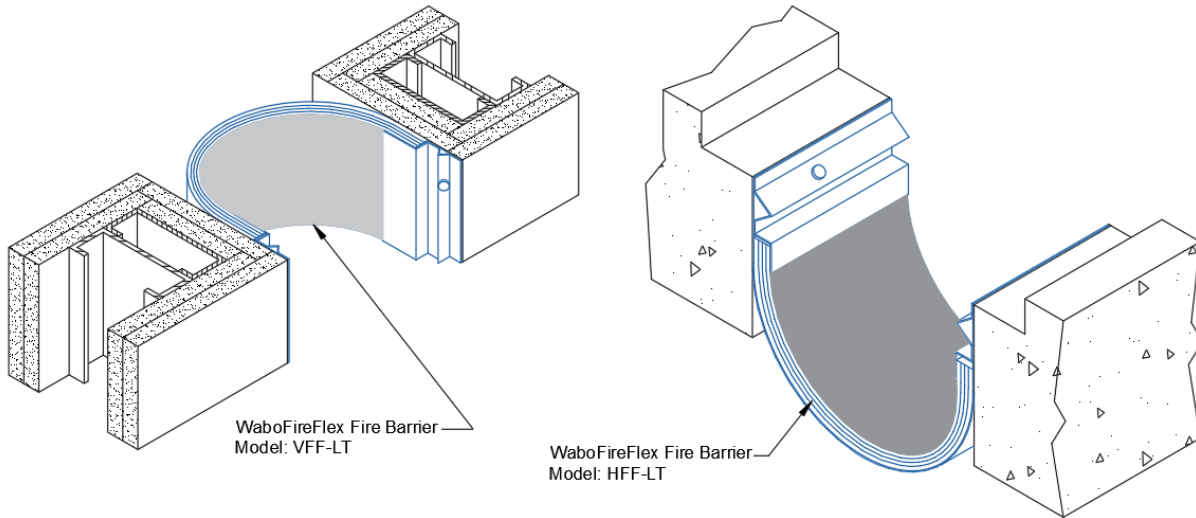
2" thru 6"

- Metal retainers shipped in 10ft lengths
- Fire blanket shipped in 25 ft coiled rolls

8" thru 20"

- Metal retainers attached to fire blanket.
- Shipped in 10ft lengths.
- Accessories packaged in manufacturers standard labeled carton.

TECHNICAL DATA:



PHYSICAL PROPERTIES:

Floors 1”-2” and Walls 1”-4”

PHYSICAL PROPERTIES	REQUIREMENTS
Density	8-13 pcf
Melting Point	2000°F
Service Limit	1850°F (as determined by testing to UL-2079)
Tensile Strength	40-75 psi

Floors 3”-20” and Walls 5”-20”

PHYSICAL PROPERTIES	REQUIREMENTS
Density	7-9 pcf
Melting Point	3200°F
Service Limit	2300°F
Flame Spread (ASTM E-84)	0
Smoke Developed (ASTM E-84)	0



APPLICATION:

INSTALLATION SUMMARY:

- Floor and wall construction and materials must be rated and designed to allow for proper installation of the fire barrier system.
- Inspect and verify all substrates to be solid and sound prior to start of work. Remove any loose materials and fix any areas in need of repair.
- Unpack individual rolls or lengths of fire barrier system. Assemble the specified number of layers, if required. Consult the installation procedure for details.
- Install the fire barrier system per installation procedure. Insure that the system is not damaged during installation.
- Field cut the fire barrier system to exact lengths and change in direction. Consult the installation procedure for butt splices or changes in direction.
- Fire barrier assembly shall be installed in the correct width of opening as called for in the contract plans. Variations in width shall be brought to the attention of the architect and product manufacturer prior to the installation of any material.
- Installation procedure can be downloaded from the WBA website (wbacorp.com) or can be requested directly from WBA.

RELATED DOCUMENTS:

- Material Safety Data Sheets
- Wabo@FireFlexLT Specification
- Wabo@FireFlexLT Installation Procedure
- Wabo@FireFlexLT Sales Drawings

FOR BEST RESULTS:

- Thickness of substrates must properly accommodate size of expansion joint system plus the fire barrier system being utilized. Contact WBA for assistance in evaluating specific project needs.
- Construct openings consistent in width and straight along joint length.
- Construct openings free and clear of obstructions. Remove or relocate all conduits and other obstructions located inside opening that will affect proper installation of fire barrier system.
- Protect all fire barrier components from damage during storage, installation and post installation activities including placement of expansion control system.
- Do not use for applications exposed to weather or heavy moisture conditions without installation of a watertight expansion joint system.
- Do not allow any of the components to freeze prior to installation. Store all components out of direct sunlight in a clean, dry location between 50°F and 90°F.
- Periodically inspect the applied material and repair localized areas as needed. Consult a Watson Bowman Acme representative for additional information.
- Make certain the most current version of the product data sheet is being used. Please consult the website (www.watsonbowmanacme.com) or contact a customer service representative.
- Proper application is the responsibility of the user. Field visits by Watson Bowman Acme personnel are for the purpose of making technical recommendations only and not for supervising or providing quality control on the jobsite.



LIMITED WARRANTY:

Watson Bowman Acme Corp. warrants that this product conforms to its current applicable specifications. WATSON BOWMAN ACME CORP. MAKES NO OTHER WARRANTY, EXPRESS OR IMPLIED, INCLUDING ANY WARRANTY OF MERCHANTABILITY OR WARRANTY OF FITNESS FOR A PARTICULAR PURPOSE. The sole and exclusive remedy of Purchaser for any claim concerning this product, including, but not limited to, claims alleging breach of warranty, negligence, strict liability or otherwise, is the replacement of product or refund of the purchase price, at the sole option of Watson Bowman Acme Corp. Any claims concerning this product shall be submitted in writing within one year of the delivery date of this product to Purchaser and any claims not presented within that period are waived by Purchaser. IN NO EVENT SHALL WATSON BOWMAN ACME CORP. BE LIABLE FOR ANY SPECIAL, INCIDENTAL, CONSEQUENTIAL (INCLUDES LOSS OF PROFITS) OR PUNITIVE DAMAGES. Other warranties may be available when the product is installed by a factory trained installer. Contact your local Watson Bowman Acme representative for details. The data expressed herein is true and accurate to the best of our knowledge at the time published; it is, however, subject to change without notice.

WaboFireFlex_LT_0321