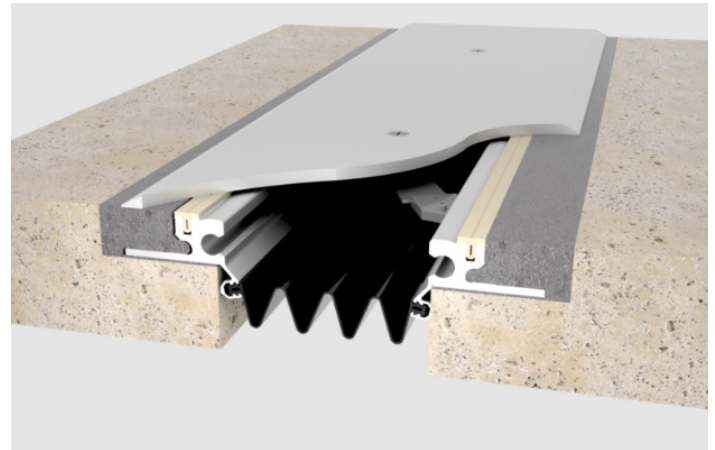


Wabo® SeismicSpan

Heavy Duty Seismic Expansion Control System

Features	Benefits
<ul style="list-style-type: none"> • Multi-directional movement 	System maintains functionality during seismic events
<ul style="list-style-type: none"> • Accommodates wide openings 	Standard systems designed for joint openings up to 27 inches.
<ul style="list-style-type: none"> • Variable materials 	Aluminum or stainless steel coverplate options are available.
<ul style="list-style-type: none"> • Design flexibility 	Custom solutions can be created for job specific requirements.
<ul style="list-style-type: none"> • Energy absorbing 	Wabo® Crete Parking Series has been developed to absorb the impact loads associated with typical parking deck applications.



DESCRIPTION:

The Wabo® SeismicSpan system is recommended for wider joint openings exposed to heavy loading or when design considerations call for the ability to accommodate multi-directional seismic movement. APX model complies with ADA guidelines.

RECOMMENDED FOR:

For use in various construction projects including:

- Parking Garages with wider joint openings.
- Exposure to heavy traffic loading
- Designs that require multi-directional seismic movement.
 - Wherever a load carrying, heavy duty cover plate is specified.

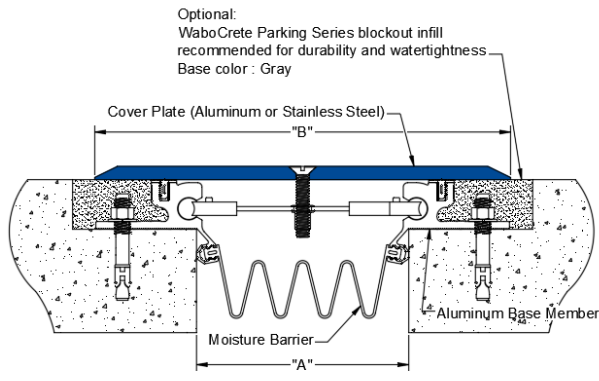
PACKAGING/COVERAGE:

- Aluminum Profiles: standard 10 ft lengths
- Moisture Barrier: longest possible continuous length
- Accessories: packaged in manufacturer's standard labeled carton
- Shipped on an 11-foot pallet
- Wabo® Crete Parking Series Elastomeric Concrete (color : gray)
 - PTA – ½ gal container
 - PTB – 1 gal container
 - PTC – 60 lbs. aggregate
 - A+B+C = 1 unit
 - Masterseal 940 (optional) – color: gray

TECHNICAL DATA:

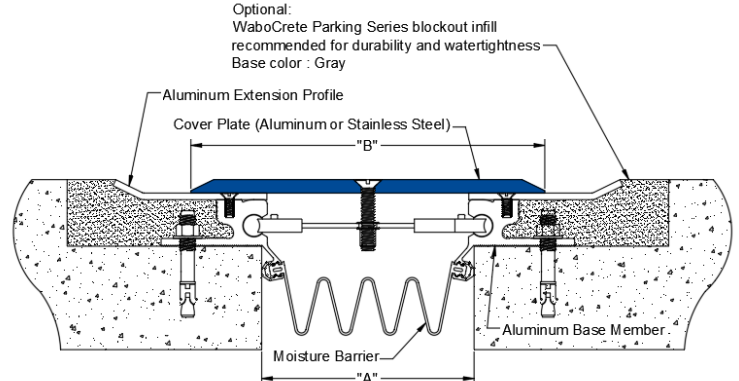
Design Information:

The APS model has a surface mounted cover plate while the APX's cover plates are recessed. Both slide and cover plates are available in aluminum or stainless steel. A snap-in moisture barrier combined with Wabo®Crete Parking Series blockout infill enhances the system's water-resistant integrity. The self-centering seismic devices allow the slide plate to return to its natural position after a seismic occurrence.



Model APS

NOTE: see product sales drawings for additional details



Model APX

NOTE: see product sales drawings for additional details

Movement Table

Model Number	Joint Opening "A"						System Width "B" (@ Mid)	
	Min.		Max.		Total			
	inches	mm	inches	mm	inches	mm	inches	mm
APS-200	1.375	35	3.0	76	1.63	41	5.75	146
APS-400	1.375	35	6.0	152	4.63	117	8.75	222
APS-600	1.375	35	9.0	229	7.63	194	11.75	298
APS-800	1.375	35	12.0	305	10.63	270	14.75	375
APS-1000	1.375	35	15.0	381	13.63	346	17.75	451
APS-1200	1.375	35	18.0	457	16.63	422	20.75	527
APS-1500	1.375	35	23.0	584	21.63	549	25.75	654
APS-1800	1.375	35	27.0	686	25.63	651	29.75	756
APX-200	1.375	35	3.0	76	1.63	41	6.25	159
APX-400	1.375	35	6.0	152	4.63	117	10.25	260
APX-600	1.375	35	9.0	229	7.63	194	14.25	362
APX-800	1.375	35	12.0	305	10.63	270	18.25	464
APX-1000	1.375	35	15.0	381	13.63	346	22.25	565
APX-1200	1.375	35	18.0	457	16.63	422	26.25	667
APX-1500	1.375	35	23.0	584	21.63	549	32.75	832
APX-1800	1.375	35	27.0	686	25.63	651	38.25	972

Note: Additional sizes available, contact WBA for details. When specifying a corner condition, add a "C" after the model number.



APPLICATION:

INSTALLATION SUMMARY:

- Blockouts must be made to the dimensions and elevations shown on the standard system drawings.
- Finish grade should be made perpendicular to the joint opening extending to 2 feet on each side of floor slab.
- Tolerance should be flush with zero vertical offset as determined by a 6-foot straight edge.
- Protect all expansion joint component parts from damage during installation.
- Expansion joint system should be set to proper width at the given ambient temperature at time of installation.
- Refer to WBA installation procedure for additional information.

RELATED DOCUMENTS:

- Material Safety Data Sheets
- Wabo[®]SeismicSpan Specification
- Wabo[®]SeismicSpan CAD Drawings
- Wabo[®]SeismicSpan Installation Procedure

FOR BEST RESULTS:

- Install when concrete substrate is clean, sound, dry, and cured (14 day minimum).
- Do not install if the joint's anticipated movement will exceed the system's movement range.
- Protect the work area with appropriate plastic sheeting.
- Do not allow any of the components to freeze prior to installation. Store all components out of direct sunlight in a clean, dry location between 50°F and 90°F.
- Shelf life of chemical components is approximately 1 year. Shelf life of Wabo[®]Crete Parking Series is 18 months.
- Periodically inspect the installed material and repair localized areas as needed. Consult a Watson Bowman Acme representative for additional information.
- Make certain the most current version of the product data sheet is being used. Please consult the website (www.watsonbowmanacme.com) or contact a customer service representative.
- Proper application is the responsibility of the user. Field visits by Watson Bowman Acme personnel are for the purpose of making technical recommendations only and not for supervising or providing quality control on the jobsite.

Refer to WBA's current installation instructions on their website for detailed step by step instructions.

LIMITED WARRANTY:

Watson Bowman Acme warrants that this product conforms to its current applicable specifications. WATSON BOWMAN ACME MAKES NO OTHER WARRANTY, EXPRESS OR IMPLIED, INCLUDING ANY WARRANTY OF MERCHANTABILITY OR WARRANTY OF FITNESS FOR A PARTICULAR PURPOSE. The sole and exclusive remedy of Purchaser for any claim concerning this product, including, but not limited to, claims alleging breach of warranty, negligence, strict liability or otherwise, is the replacement of product or refund of the purchase price, at the sole option of Watson Bowman Acme. Any claims concerning this product shall be submitted in writing within one year of the delivery date of this product to Purchaser and any claims not presented within that period are waived by Purchaser. IN NO EVENT SHALL WATSON BOWMAN ACME BE LIABLE FOR ANY SPECIAL, INCIDENTAL, CONSEQUENTIAL (INCLUDES LOSS OF PROFITS) OR PUNITIVE DAMAGES. Other warranties may be available when the product is installed by a factory trained installer. Contact your local Watson Bowman Acme representative for details. The data expressed herein is true and accurate to the best of our knowledge at the time published; it is, however, subject to change without notice.

WaboSeismicSpan_0321